

LIEBHERR

Design Guide 2008
Built In Models 24" and 48"

Liebherr's engineering excellence in Germany provides the largest selection of freezers, refrigerators and wine refrigerators worldwide.

Liebherr appliances consistently specializes in the manufacturing of high quality freezers and refrigerators. With more than 300 basic models, we have the widest selection in the world. Liebherr appliances feature premium quality, numerous innovative product ideas and advanced design. Liebherr freezers and refrigerators are manufactured at three modern production plants:

Liebherr Marica in Bulgaria, Liebherr-Hausgeräte Ochsenhausen GmbH in Germany and the Liebherr-Hausgeräte Lienz GmbH in Austria.

We produce more than 2.3 million quality freezers, refrigerators and wine refrigerators each year, and these are sold all over the world. Liebherr-Hausgeräte Ochsenhausen GmbH in Germany makes over 1,100,000 appliances a year and employs 1,900 people. The Liebherr-Hausgeräte Lienz GmbH manufactures more than 700,000 freezers and refrigerators and employs 1,500 people.

The appliances for the North American market are produced in Austria and in Germany.

Liebherr is committed to the protection of the environment and recognizes it as a critical priority. To guarantee an optimum and consistent implementation, all ecological aspects were observed and integrated into the quality control of Liebherr in compliance with DIN EN ISO 9001.

Liebherr's Commitment to the Environment

The components of Liebherr products can be recycled when the necessary resources are applied. A concern for the environment and a desire to protect resources has led to increased levels of recycling year after year. When Liebherr manufactures products, it is essential that the recyclable recovery rate of the materials we use constantly increases.

Recycling is a common goal among all manufacturers, municipalities and recycling companies to protect our environment. Protecting the environment and producing products which have a low impact on the environment, is one of Liebherr's core values. Whether you are replacing a unit or starting fresh, remember to dispose of your old appliance in an environmentally safe and friendly manner.

Introduction

LIEBHERR WARRANTY PLAN

FULL TWO YEAR WARRANTY - For two years from the date of original purchase, your Liebherr Warranty covers all parts and labor to repair or replace any part of the product which proves to be defective in materials or workmanship.

FULL FIVE YEAR WARRANTY - For five years from the date of original purchase, your Liebherr Warranty covers all parts and labor to repair or replace any components that prove to be defective in materials or workmanship in the sealed system. The "Sealed System" means only the compressor, condenser, evaporator, drier and all connecting tubing.

LIMITED 6TH THROUGH 12TH YEAR WARRANTY - From the 6th through 12th year from the date of original purchase, your Liebherr Warranty covers all parts that prove to be defective in materials or workmanship in the sealed system (parts only).



Customer Service

If your appliance is not working properly, or if the temperature display reads "F0" to "F5", please call the numbers listed below.

Give the **fault number displayed**, together with the **Type Designation, Service Number** and **Appliance Number (Serial Number)** from the model plate, to ensure prompt, accurate servicing. The model plate is located inside the appliance.

Leave the appliance door closed until the customer service technician arrives to minimize any further cold loss.

For Service and Parts in the U.S.:

Liebherr Service Center

15545 N. 77th Street
Scottsdale, AZ 85260

Phone: (480) 998-0141
Fax: (480) 998-7877
Toll Free: **1-866-LIEBHERR or
1-866-543-2437**

www.liebherr-appliances.com

For Service and Parts in Canada:

Euro-Line Appliances

2278 Speers Rd.
Oakville, Ontario, L6L 2X8

Phone: (905) 829-3980
Fax: (905) 829-3985
Toll Free: **1-888-Liebherr,
1-888-543-2437**

www.euro-parts.ca

Contents

General Remarks

Safety Warnings	I
Electrical Requirements & Safety	II
IceMaker (if equipped)	III
Area Requirements	IV
Safety Regulations	V

Built In Models 24" and 48"

24" and 48" Models: R/RI/RB/RBI 1400 and BF/BFI/WF/WFI 1051	1
Unit Dimensions	3
Cabinet Opening Dimensions	6
Ventilation Requirements	7
Custom finish RI/RBI 1400, BFI/WFI 1051, SBS 24I0/24I5 - Framed and Overlay Panels	9
Framed Panel Dimensions RI/RBI 1400	10
Framed Panel Dimensions BFI 1051	11
Framed Panel Dimensions WFI 1051	12
Handle Clearance	13
Overlay Panel Dimensions RI/RBI 1400	14
Overlay Panel Dimensions BFI 1051	15
Overlay Panel Dimensions WF/WFI 1051	16
Accessories for Framed and Overlay Panels	18
Door Swing Clearance 130° RI/RBI 1400	20
Door Swing Clearance 90° RI/RBI 1400	21
Door Swing Clearance 130° BFI/WFI 1051	22
Door Swing Clearance 90° BFI/WFI 1051	23
Stainless steel R/RB 1400, BF/WF 1051, SBS 240/245	25
Accessories	26
Door Swing Clearance 130° BF/WF 1051	27
Door Swing Clearance 90° BF/WF 1051	28
Door Swing Clearance 130° R, RB 1400	29
Door Swing Clearance 90° R, RB 1400	30

General Remarks

I. Safety Warnings

PLEASE READ AND FOLLOW THESE INSTRUCTIONS

This design guide contains Warning and Caution statements. This information is important for safe and efficient installation.

This design guide is not replacing the use and care manual which contains important information on how to use Liebherr appliances.

Always read and follow all Warning and Caution statements!

██████████  **WARNING** ██████████

States a hazard that may cause serious injury or death if precautions are not followed.

██████████  **CAUTION** ██████████

Signals a situation where minor injury or product damage may occur if you do not follow instructions.

██████████  **DANGER** ██████████

States a hazard will cause serious injury or death if precautions are not followed.

IMPORTANT

This highlights information that is especially relevant to a problem-free installation.

Make sure incoming voltage is the same as the unit rating.

To reduce the risk of fire, electric shock, or personal injury, the installation work and electrical wiring must be done by a qualified electrician in accordance with all applicable codes and standards, including fire rated construction.

To the Installer

It is very important that the guidelines and instructions are followed in this design guide to ensure proper installation and operation of the unit. The Installation Guidelines section contains important information for making sure the installation is correct. Read and understand all the information and installation guidelines in this manual before the unit is installed.

It is also very important to **know** the Safety Information.

General Remarks

II. Electrical Requirements & Safety

A 115 Volt, 60 Hz, 15 Amp (20 Amp for side-by-side installation) fused electrical supply is required. Connect undercounter wine cabinet to a 115 VAC, 10 amp (15 Amp for side-by-side installations) circuit that is controlled by a circuit breaker or fuse.

We recommend using a dedicated circuit for these appliances to prevent electrical overload. Comply with the National Electrical Code as well as local codes and ordinances when installing the receptacle.

The power cord is equipped with a three-prong (grounding) plug for your protection against possible shock hazards. To maintain this protection:

- Do not modify the plug by removing the round grounding prong.
- Do not use a power cord that is frayed or damaged.



WARNING

Do not ground to a gas pipe. Check with a qualified electrician if you are not sure the appliance is properly grounded. Do not have a fuse in the neutral or grounding circuit.



WARNING

ELECTROCUTION HAZARD

Electrical Grounding Required. This appliance is equipped with a three-prong(grounding) polarized plug for your protection against possible shock hazards.

- **DO NOT** remove the round grounding prong from the plug.
- **DO NOT** use a two-prong grounding adapter.
- **DO NOT** use an extension cord to connect power to the unit.

III. IceMaker (if equipped)

The icemaker is located in the freezer compartment. It must be connected to the water supply to function properly. The appliance must be level for the icemaker to function properly.

The water pressure must be between 21.8-87.0 psi (1.5-6 bar). Use a 1/4" OD copper line to connect the water supply to the solenoid valve. This is not supplied with the refrigerator.

If you have hard water, we recommend you install a water softener. Also, a filter must be installed if the water contains solids such as sand. All equipment and devices used to supply the water to the appliance must comply with the current regulations for your geographical area.

Safety Instructions and Warnings

- Do not attach the water source while the appliance is connected to an electrical outlet.
- A shut-off valve, must be installed between the hose line and the main water supply so that the water supply can be stopped if necessary. Do not install the shut-off valve behind the refrigeration unit.
- The connection to the water supply may only be made by a trained and licensed plumber.
- The water quality must comply with the drinking water regulations for the geographical area where the appliance is located.
- The icemaker is designed exclusively to make ice cubes in quantities needed by a household and may only be operated with water appropriate for this purpose.
- All repairs and work on the icemaker may only be done by customer service personnel or other trained personnel.
- The manufacturer cannot accept liability for damage caused by equipment or water lines between the solenoid valve and the water supply.

General Remarks

IV. Area Requirements

Verify the following:

- Floors can support refrigerator's weight plus approximately 1200 pounds (544 kg) of food weight. Not all Liebherr products are designed for 1200 pounds (544 kg) of food. Some units are smaller and total weights may vary.
- Finished kitchen floor height is level. Refrigerator must be shimmed to the floor level, or levelled, to make sure, air vents are not obstructed.
- Remove anything attached to the rear or side walls that can obstruct refrigerator opening.
- Cutout dimensions are accurate.
- Electrical outlet is in correct location.

Do not install this unit next to any other refrigerator or freezer except another Liebherr model. Liebherr models are designed to allow side by side installation. They are equipped with a heating system to eliminate condensation when units are installed side by side. Installing this unit next to any other refrigerator or freezer can cause condensation or cause damage to the Liebherr unit.



To protect the refrigerator from possible damage, allow the appliance to stand 1/2 to 1 hour in place before turning the electricity on. This allows the refrigerant and system lubrication to reach equilibrium.

Blocking For Safety

The anti-tip brackets must be installed to prevent the unit from tipping after it is installed.

V. Safety Regulations

The appliance complies with UL250 and CAN/CSA-C 22,2 No. 63 and is designed to cool, freeze, store food as well as make ice (if equipped). It is designed as a household appliance. If used commercially, the relevant regulations on commercial use must be observed.

The appliance is set to operate within specific ambient temperature limits according to its climate rating. These temperature limits should not be exceeded. The correct climate rating for your appliance is indicated on the model plate.

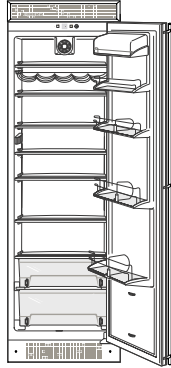
This is explained as follows:

Climate Rating	Set for Ambient Temperatures of
SN	50°F to 90°F (10°C to 32°C)
N	61°F to 90°F (16°C to 32°C)
ST	61°F to 101°F (16°C to 38°C)
T	61°F to 110°F (16°C to 43°C)
SN-ST	50°F to 101°F (10°C to 38°C)
SN-T	50°F to 110°F (10°C to 43°C)

- The refrigerant circuit has been tested for leaks.

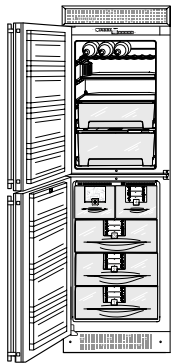
R/RI/RB/RBI 1400 and BF/BFI/WF/WFI 1051

Liebherr offers a new concept in cooling technology to the American market. The compact 24" appliances can be used as a single unit or together as a Side-by-Side. Available with stainless steel doors or for custom finish panels on the doors.



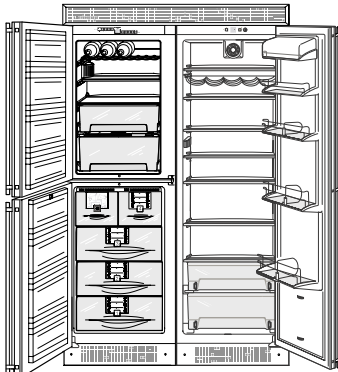
R & RI 1400	
Energy Star:	qualified
Energy consumption p. a.:	311 kWh
Energy Supply:	115V/60Hz/350W
Total capacity:	13.5 cu ft (381 L)
Climate Rating:	SN-T
Door hinges:	right / reversible

- Automatic refrigerator defrosting



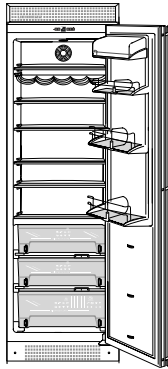
BF & BFI 1051	
Energy Star:	qualified
Energy consumption p. a.:	431 kWh
Energy Supply:	115V/60Hz/350W
Total capacity:	8.7 cu ft (247 L)
BioFresh:	4.6 cu ft (130 L)
Freezer:	4.1 cu ft (117 L)
Ice cube capacity:	2.2 pd./24h
Ice cube stock:	3.3 pd.
Climate Rating:	SN-T
Door hinges:	left / reversible

- Automatic refrigerator defrosting
- Automatic freezer compartment defrosting
- Automatic IceMaker can be switched off



SBS 240 & 2410 (R/RI 1400 & BF/BFI 1051)	
Energy Supply:	115V/60Hz/700W
Total capacity:	22.2 cu ft (628 L)
Refrigerator:	13.5 cu ft (381 L)
BioFresh:	4.6 cu ft (130 L)
Freezer:	4.1 cu ft (117 L)
Ice cube capacity:	2.2 pd./24h
Ice cube stock:	3.3 pd.
Climate Rating:	SN-T
Door hinges:	left / right / reversible

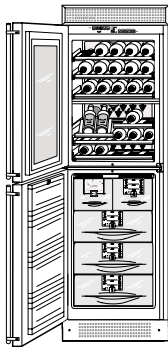
- Automatic refrigerator defrosting
- Automatic freezer compartment defrosting
- Automatic IceMaker can be switched off



RB & RBI 1400

Energy Star:	qualified
Energy consumption p. a.:	333 kWh
Energy Supply:	115V/60Hz/350W
Total capacity:	11.9 cu ft (337 L)
BioFresh	3.5 cu ft (100 L)
Refrigerator	8.4 cu ft (237 L)
Climate Rating:	SN-T
Door hinges:	right / reversible

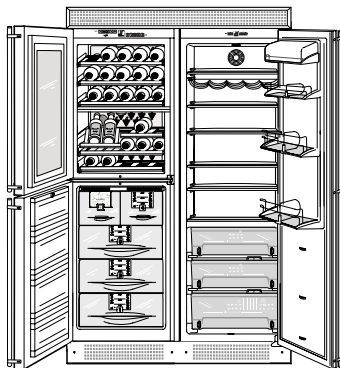
- Automatic refrigerator defrosting



WF & WFI 1051

Energy Supply:	115V/60Hz/350W
Total capacity:	8.7 cu ft (247 L)
Wine Storage:	4.4 cu ft (125 L)
Total amount of bottles:	34 bottles
upper rack:	15 bottles
lower rack:	19 bottles
Freezer:	4.1 cu ft (117 L)
Ice cube capacity:	2.2 pd./24h
Ice cube stock:	3.3 pd.
Climate Rating:	SN-ST
Door hinges:	left / reversible

- Automatic refrigerator defrosting
- Automatic freezer compartment defrosting
- Automatic IceMaker can be switched off



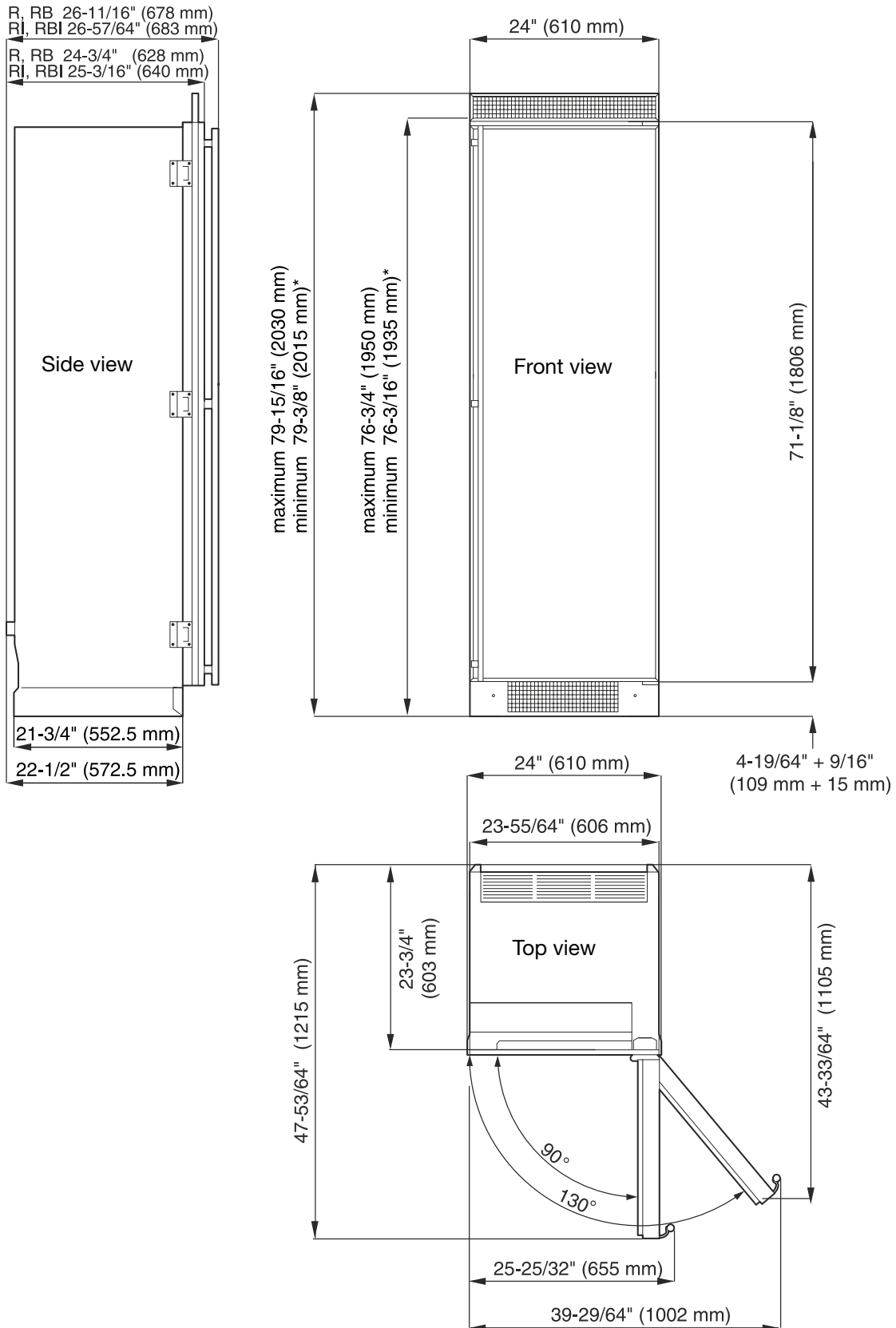
SBS 245 & 2415 (RB/RBI 1400 & WF/WFI 1051)

Energy Supply:	115V/60Hz/700W
Total capacity:	20.6 cu ft (584 L)
Refrigerator:	8.4 cu ft (237 L)
BioFresh:	3.5 cu ft (100 L)
Wine Storage:	4.4 cu ft (125 L)
Total amount of bottles:	34 bottles
upper rack:	15 bottles
lower rack:	19 bottles
Freezer:	4.1 cu ft (117 L)
Ice cube capacity:	2.2 pd./24h
Ice cube stock:	3.3 pd.
Climate Rating:	SN-ST
Door hinges:	left / right / reversible

- Automatic refrigerator defrosting
- Automatic freezer compartment defrosting
- Automatic IceMaker can be switched off

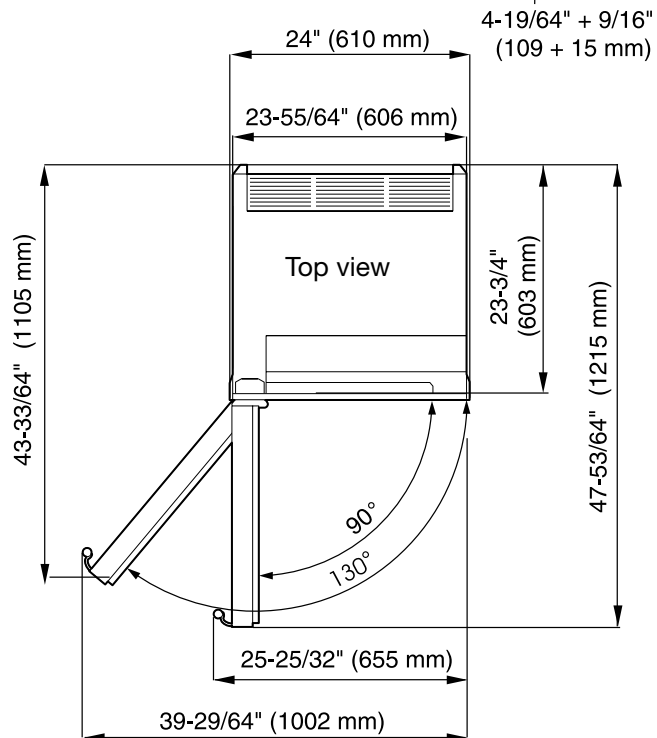
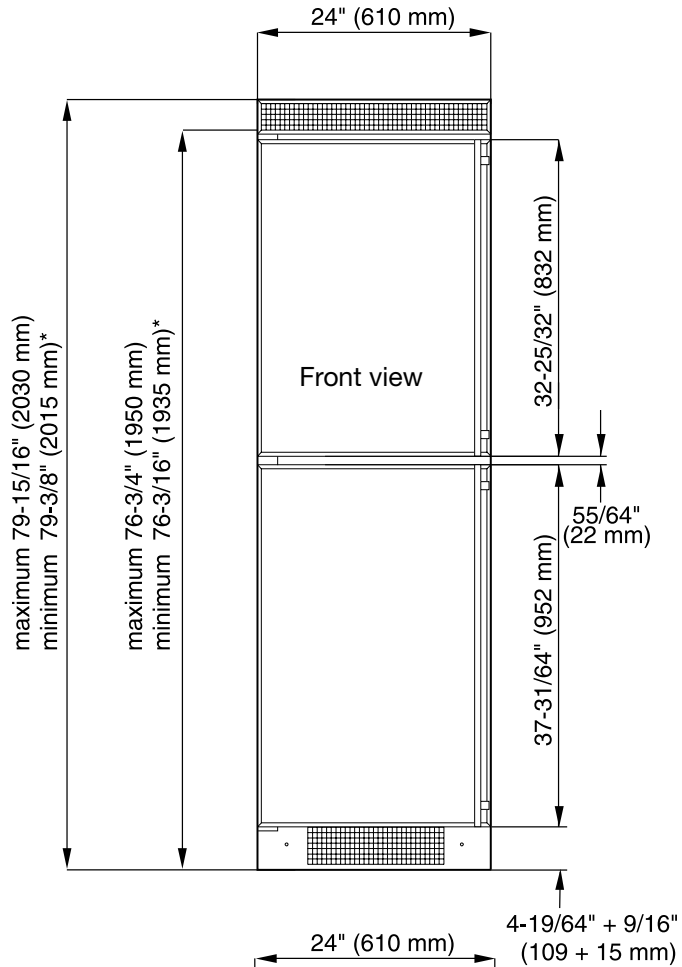
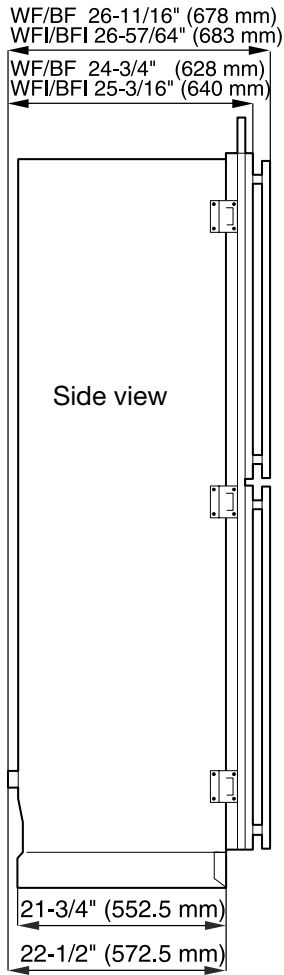
Unit Dimensions

R, RI, RB, RBI 1400



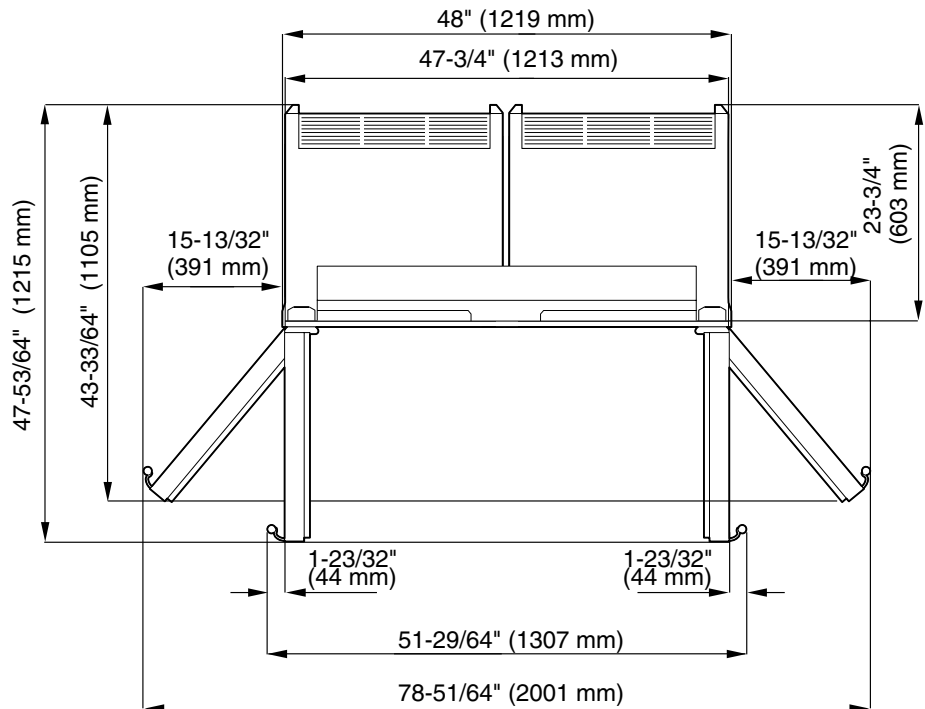
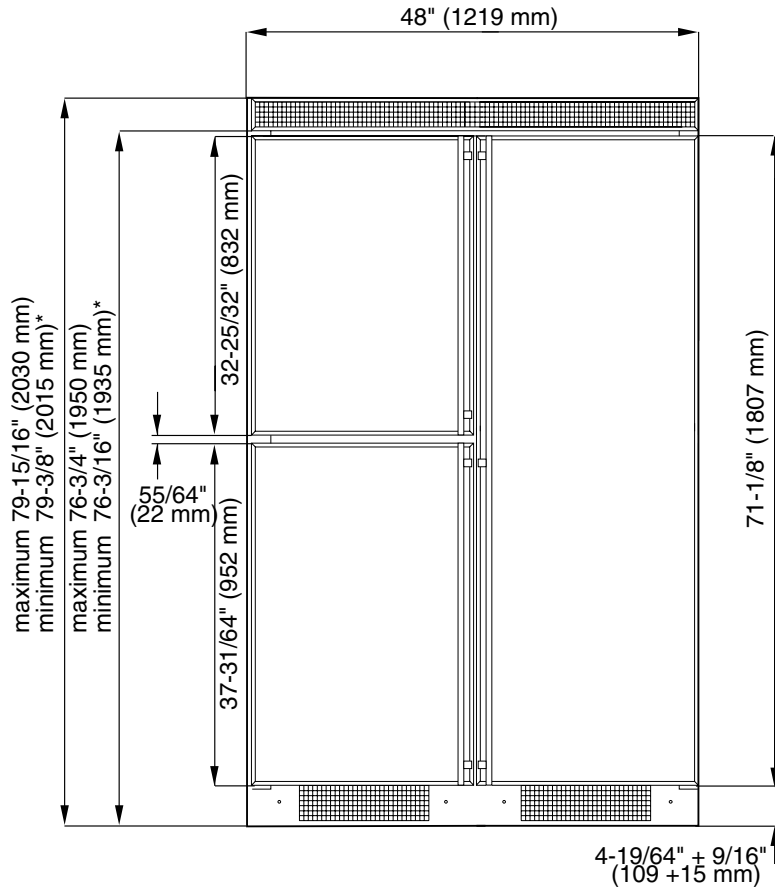
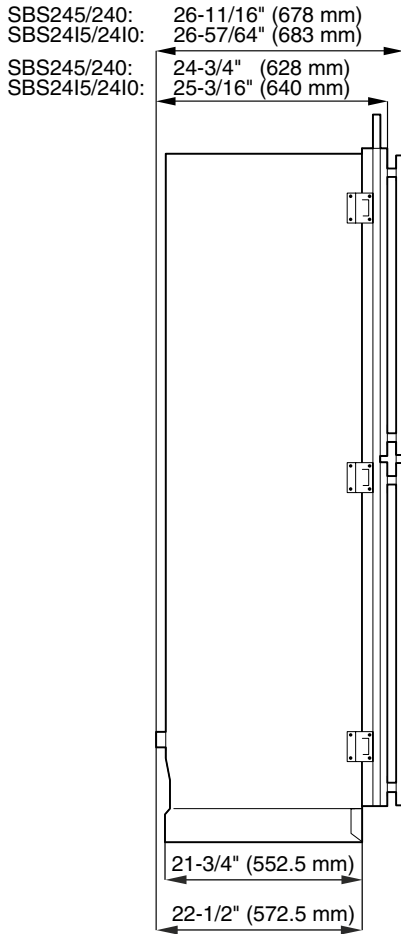
* Height of unit can be increased by 9/16"

BF & BFI 1051 - WF & WFI1051



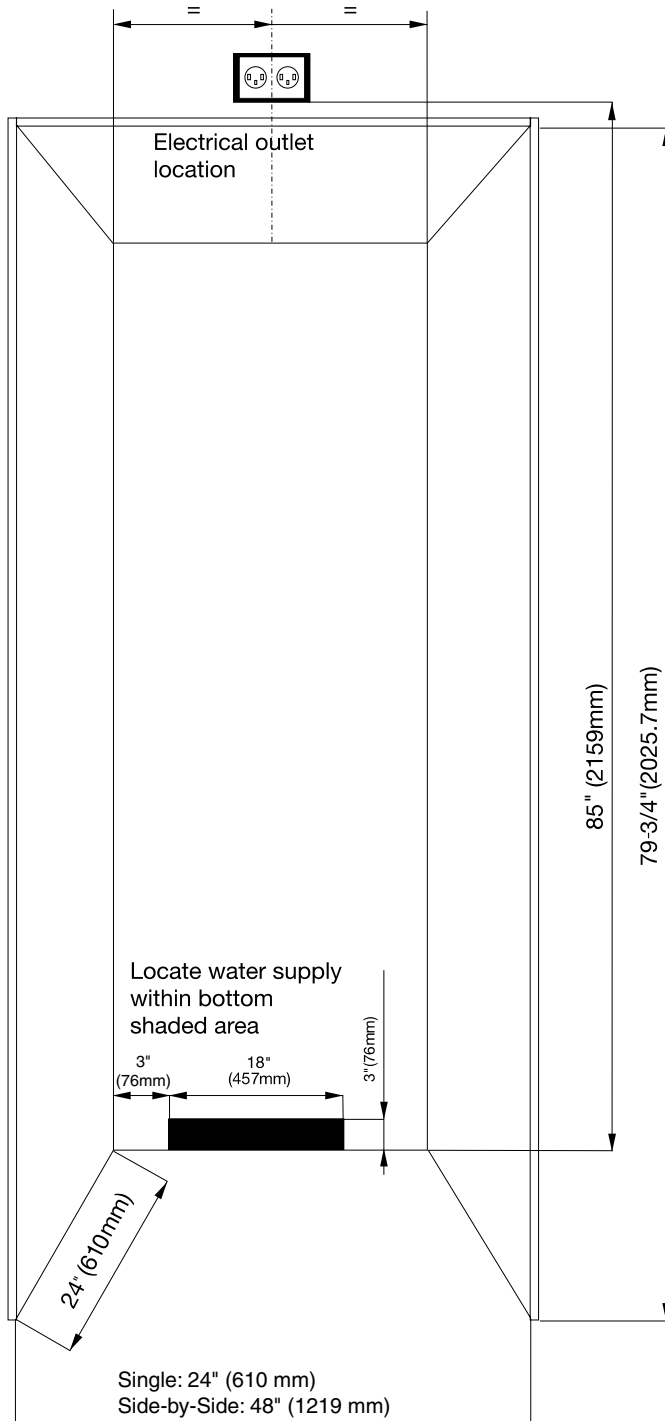
* Height of unit can be increased by 9/16"

SBS 240/2410 & 245/2415



* Overall height can be increased by 9/16"

Cabinet Opening Dimensions



All units are to open at a minimum of 90° to prevent problems removing drawers. With the door opening 90°, you may have to move drawers slightly to clear the door interior.

- Allow for a minimum 2" (51 mm) filler, for corner installations, so the door can open to 90°. If you're using raised panels, consider using a wider filler.

- Use the supplied filler strip when units are installed side by side.

IMPORTANT

Refer to the minimum door clearances and illustrations at the end of this section for specifics on door openings and filler size alternatives.

NOTE:

The given cabinet opening height dimension includes top air vent. If you choose to place the vent above the cabinet or in a soffit, you will need to adjust the height dimension accordingly.

Ventilation Requirements

This is a built-in refrigerator-freezer with either custom finished door panels or stainless steel doors. The unit is not intended for freestanding use and has to be installed inside a cabinet. This type of cabinet must be carefully constructed using the proper dimensions and it must provide proper ventilation to ensure proper appliance operation.

Kitchen Cabinet Airflow

1. The following ventilation dimensions must be observed:

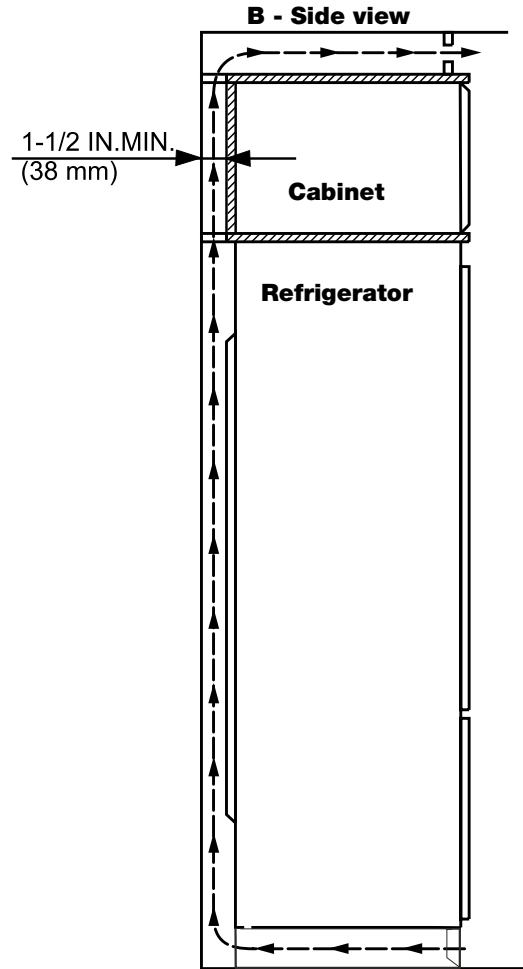
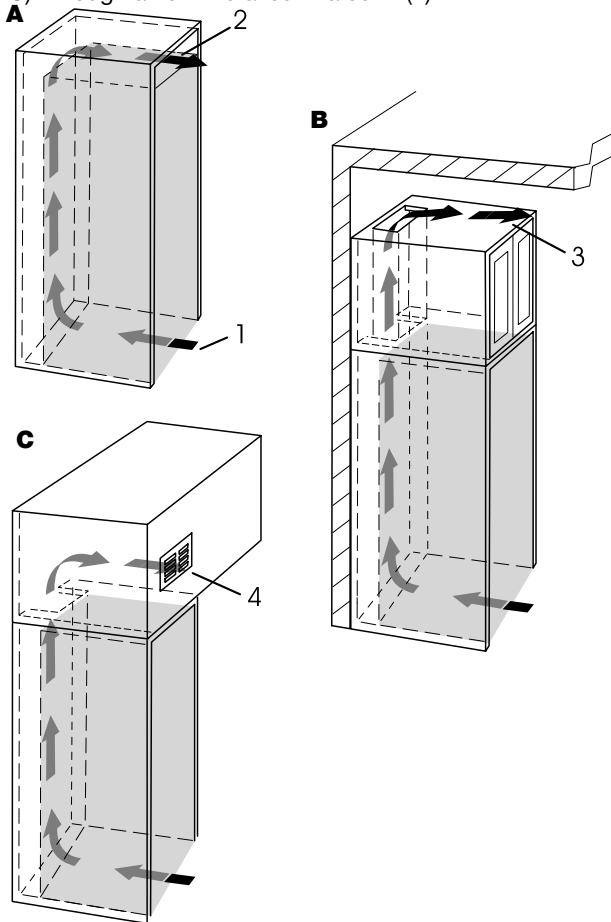
There must be a ventilation space at least 31 in.² (200 cm²) at the airflow inlet (1) and at the airflow outlet (2). The 30" and 60" models are equipped with a rolling base, which is already providing you with the bottom airflow inlet requirements.

The top ventilation space can be directed in one of the following ways:

A) Directly over the appliance (2) with either an optional factory air vent or custom made one using the template supplied with the unit.

B) Above the cabinet and below the ceiling (3).

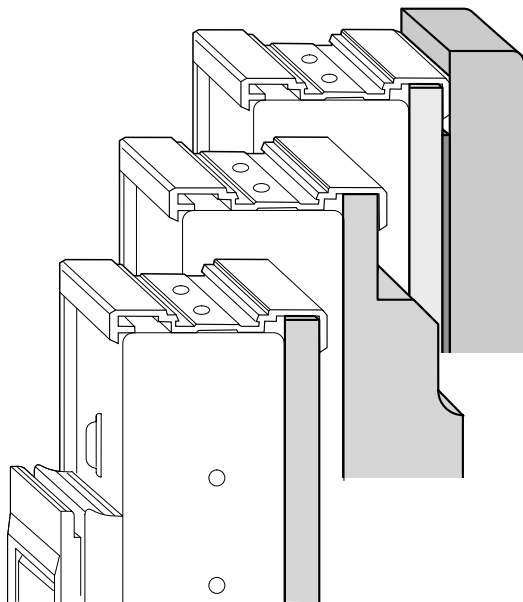
C) Through a vent installed in a soffit (4).



The refrigerator is designed to allow proper air flow when the appliance is installed up against the wall. A minimum space of 1 1/2" is required when a cabinet is built above.

Built In Models 24" and 48"

Custom finish RI/RBI 1400, BFI/WFI 1051, SBS 2410/2415 - Framed and Overlay Panels



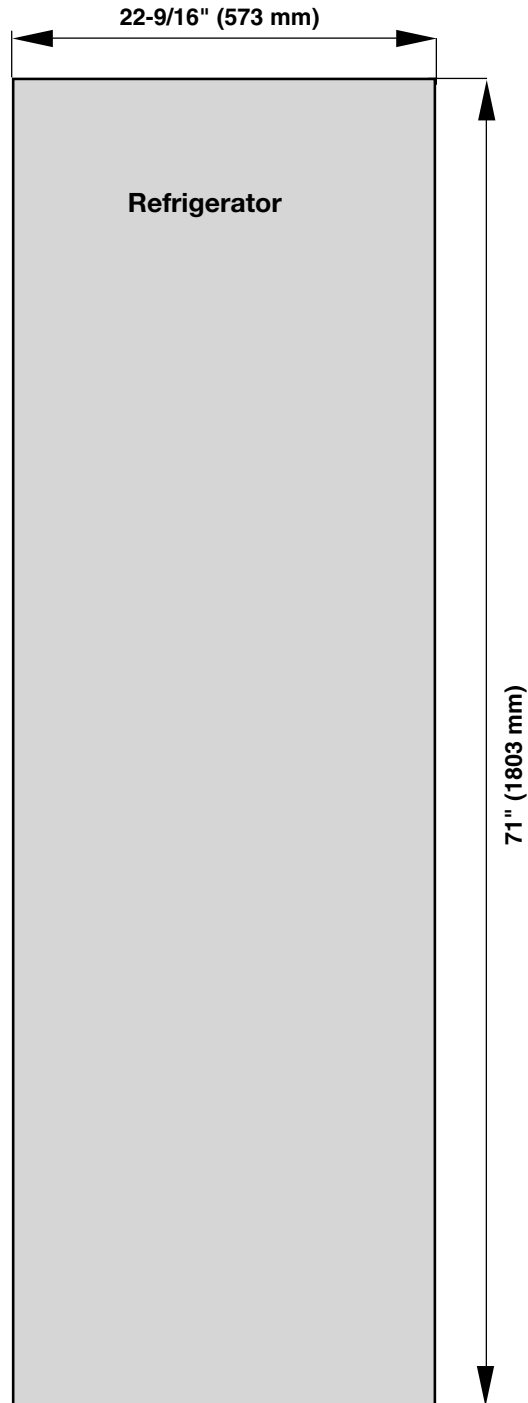
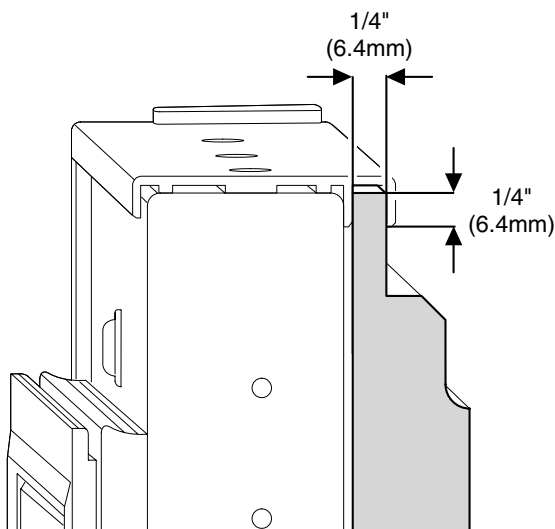
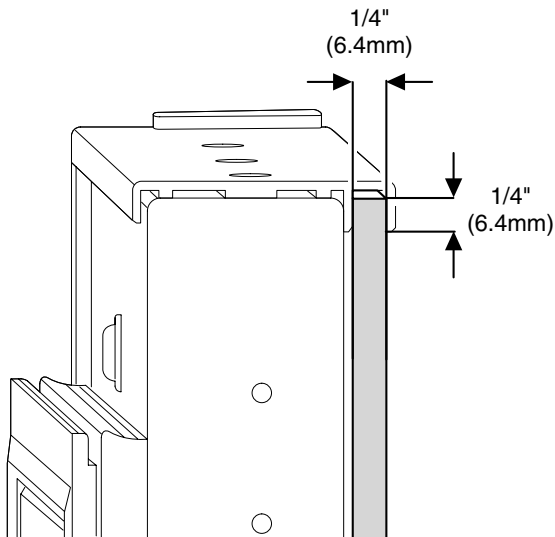
Liebherr offers numerous options for customization, allowing you to best complement the design of your dream kitchen. Decor frames make it possible to put custom panels on the built-in appliances. To match your kitchen's design, use custom finish panels, overlay or framed.

Framed Panel Dimensions RI/RBI 1400

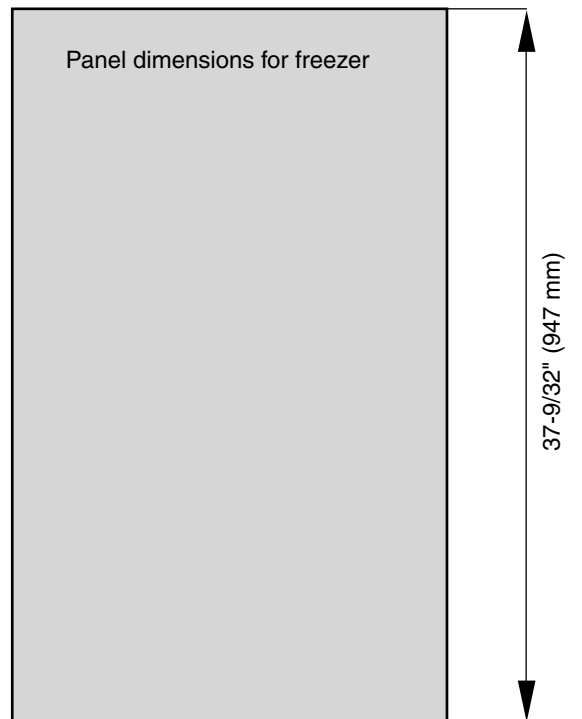
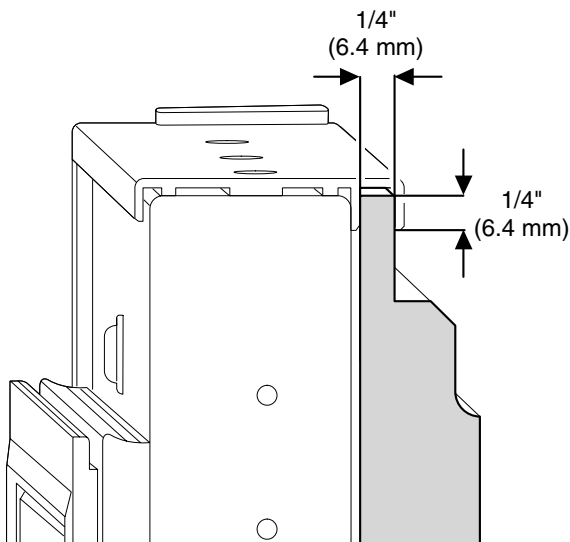
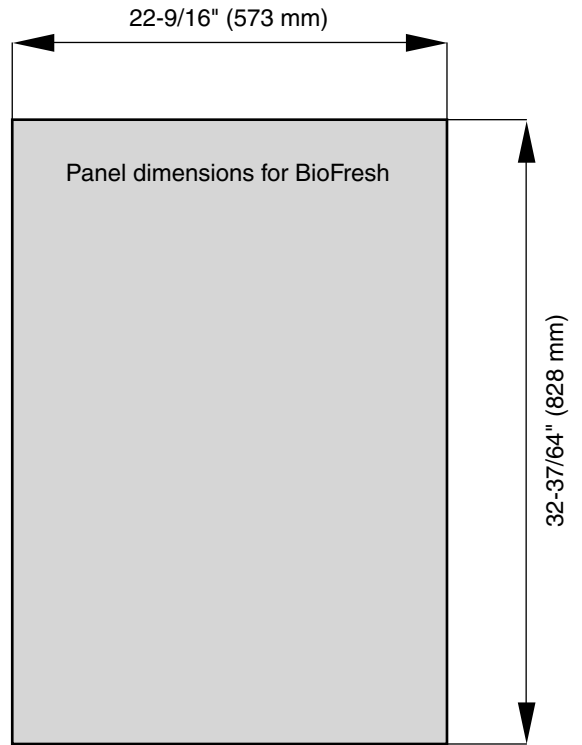
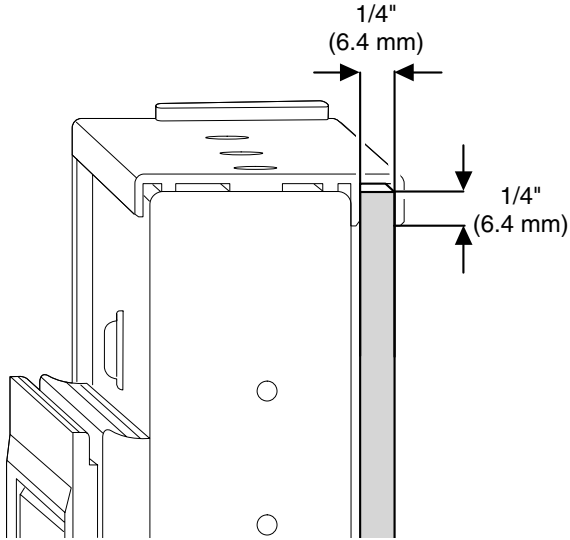
Framed Panels

If the thickness of the custom panels is less than 1/4" (6.4 mm), they must be backed up with a sheet of shim material to build the total thickness to 1/4" (6.4 mm).

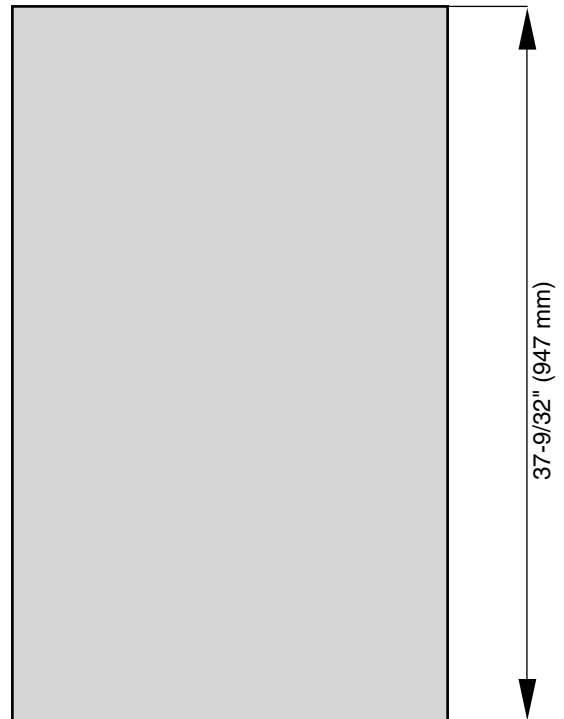
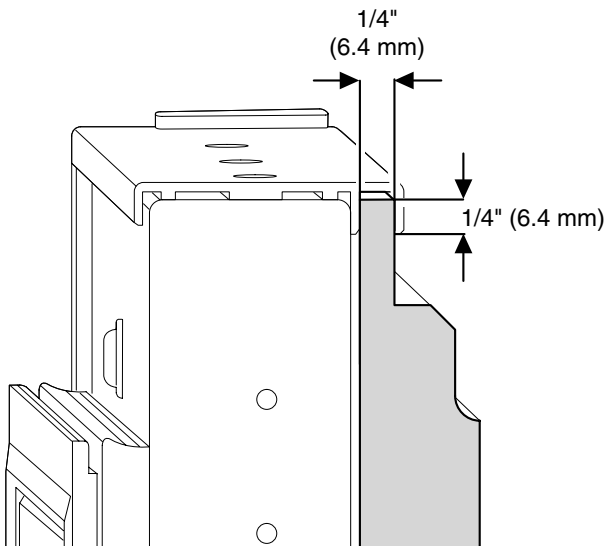
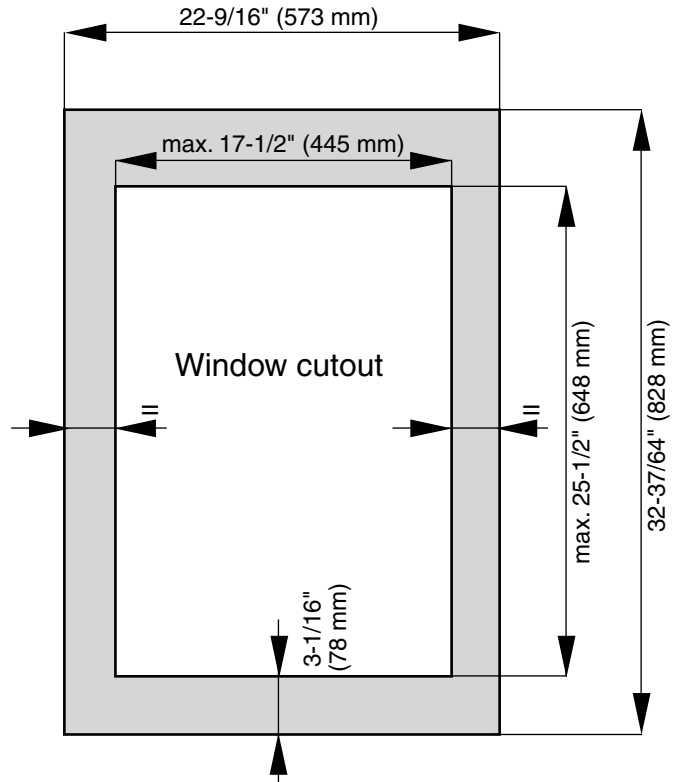
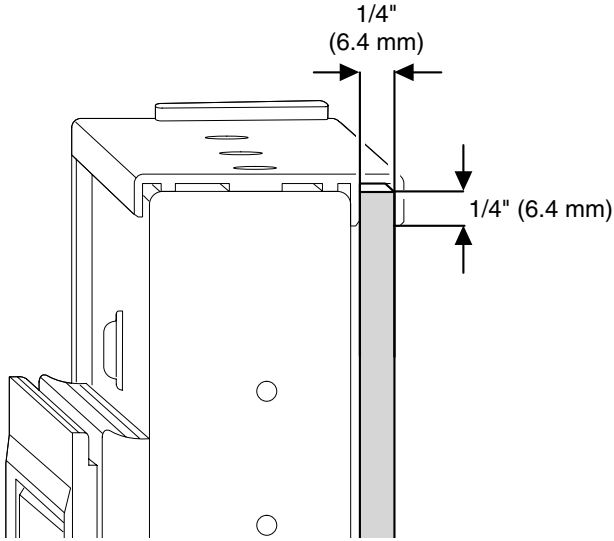
If the panel is thicker than 1/4" (6.4 mm), an edge must be routed around the panel to ensure a proper fit.



Framed Panel Dimensions BFI 1051



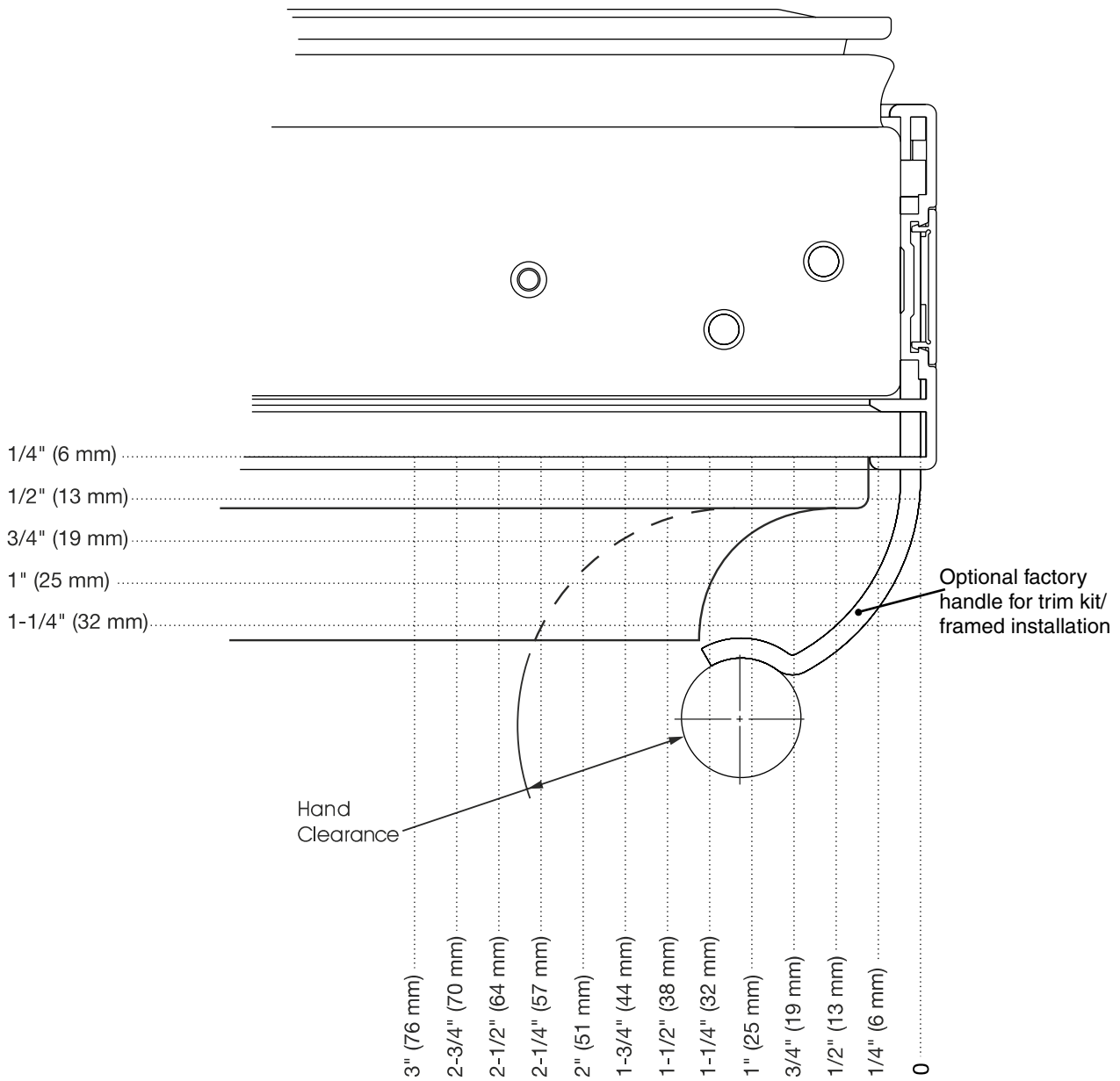
Framed Panel Dimensions WFI 1051



Handle Clearance

It is important to provide adequate clearance behind the handle so that the user's hand fits easily. The clearance may not have to be the entire length of the handle, but should be designed for user's comfort.

Please note that for framed installations, the factory Liebherr handles must be ordered.



Scale 1:1

Overlay Panel Dimensions RI/RBI 1400

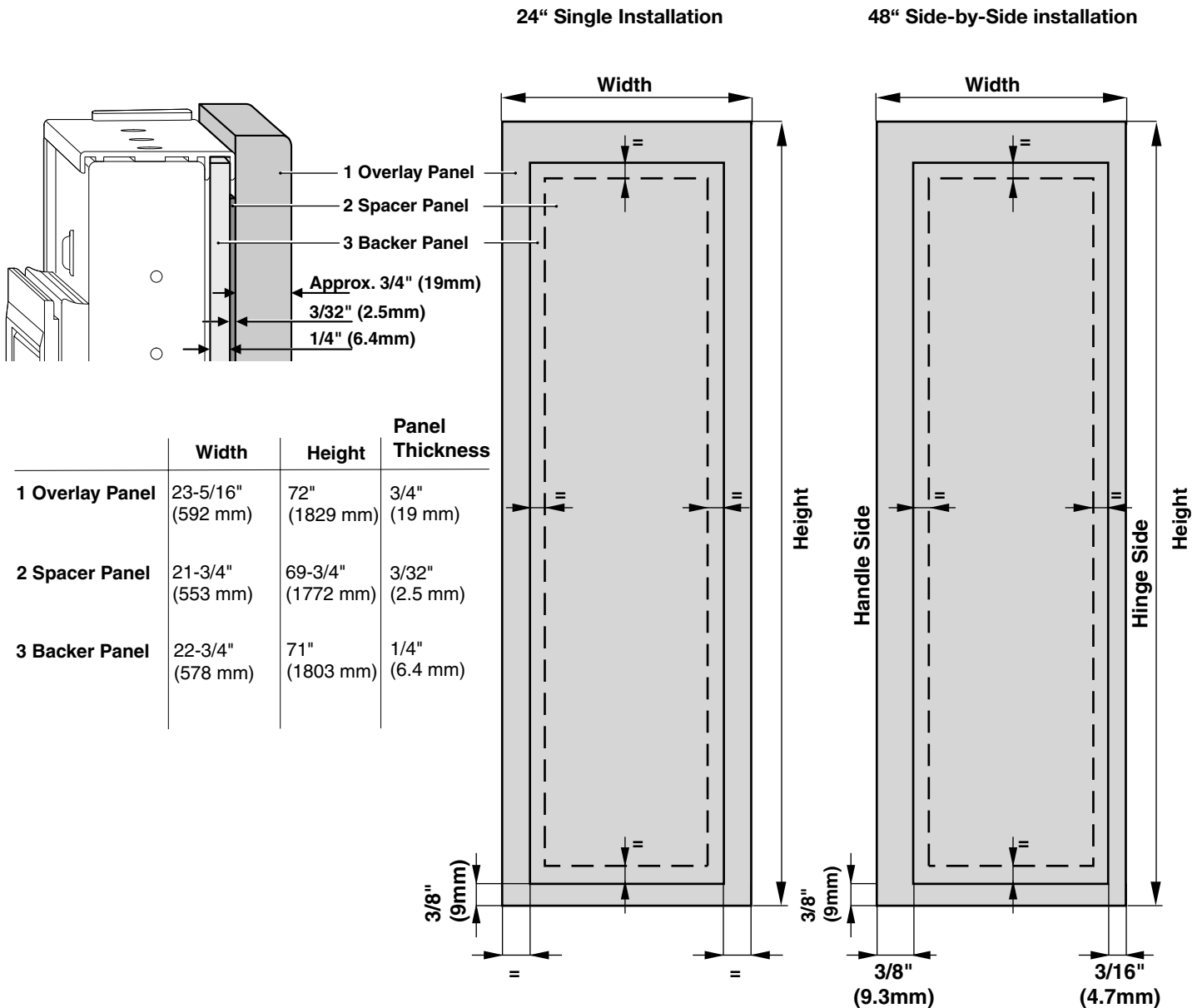
Overlay Panels

The overlay design line allows decorative panels to cover the door trim for a more seamless appearance that blends with the design of the room. The most common way to achieve this look is to work with three panels, the decorative overlay panel, a 3/32" (2.5 mm) spacer panel and a 1/4" (6.4 mm) backer panel.

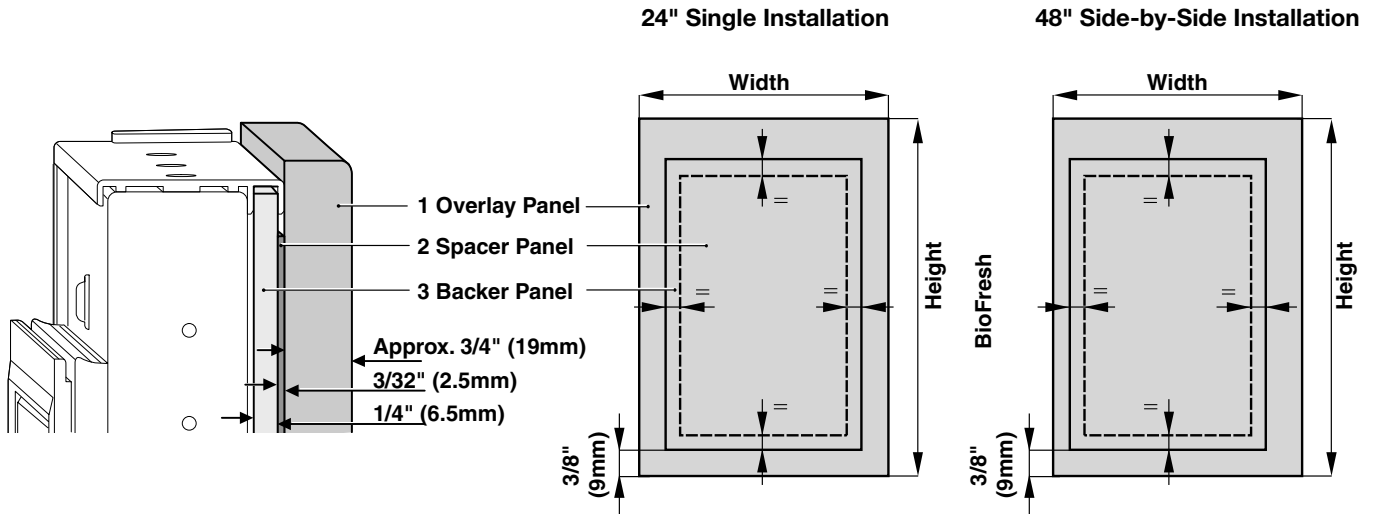
Depending on your cabinet manufacturer, this could be one panel routed for different dimensions or, more likely, three different panels.

The door panel weight must not exceed 44 lb (20 kg) per Overlay Panel.

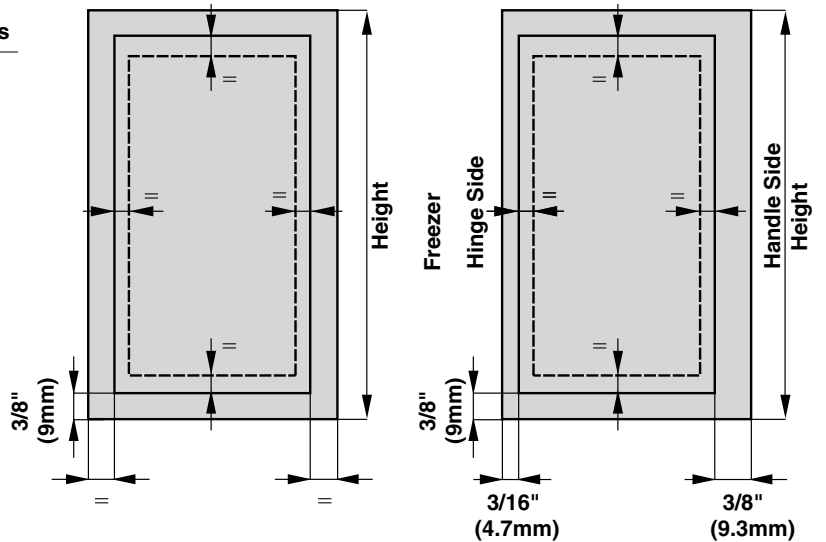
OVERLAY PANEL SPECIFICATION



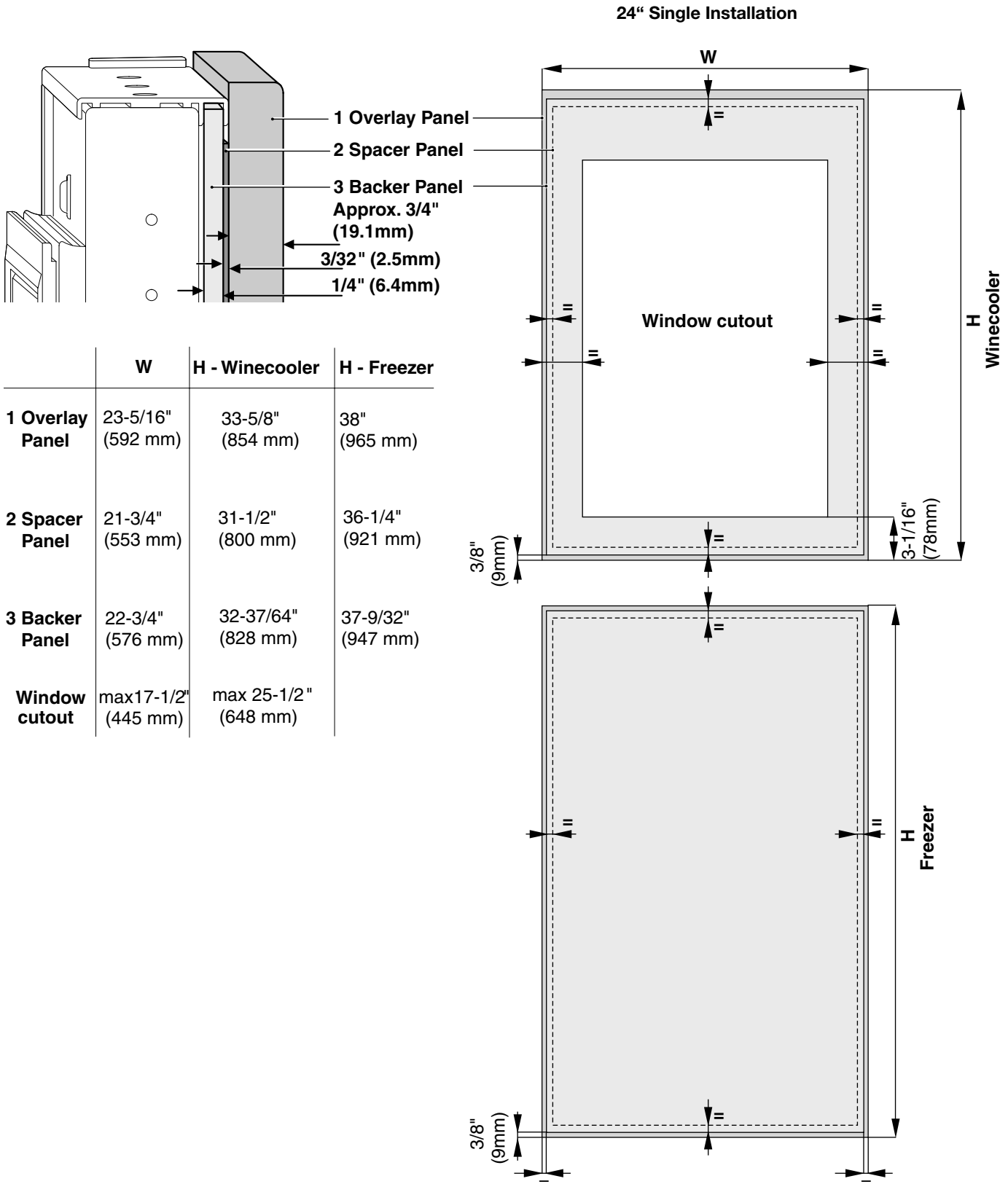
Overlay Panel Dimensions BFI 1051

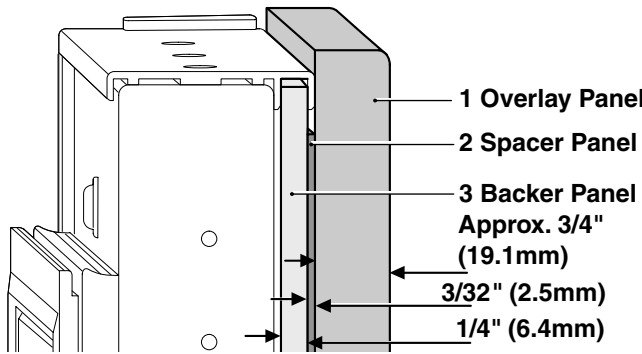


	Width	Height Refrigerator	Height Freezer	Panel Thickness
1 Overlay Panel	23-5/16" (592mm)	33-5/8" (854mm)	38" (965mm)	3/4" (19mm)
2 Spacer Panel	21-3/4" (553mm)	31-1/2" (800mm)	36-1/4" (921mm)	3/32" (2.5mm)
3 Backer Panel	22-11/16" (576mm)	32-37/64" (828mm)	37-9/32" (947mm)	1/4" (6.4mm)



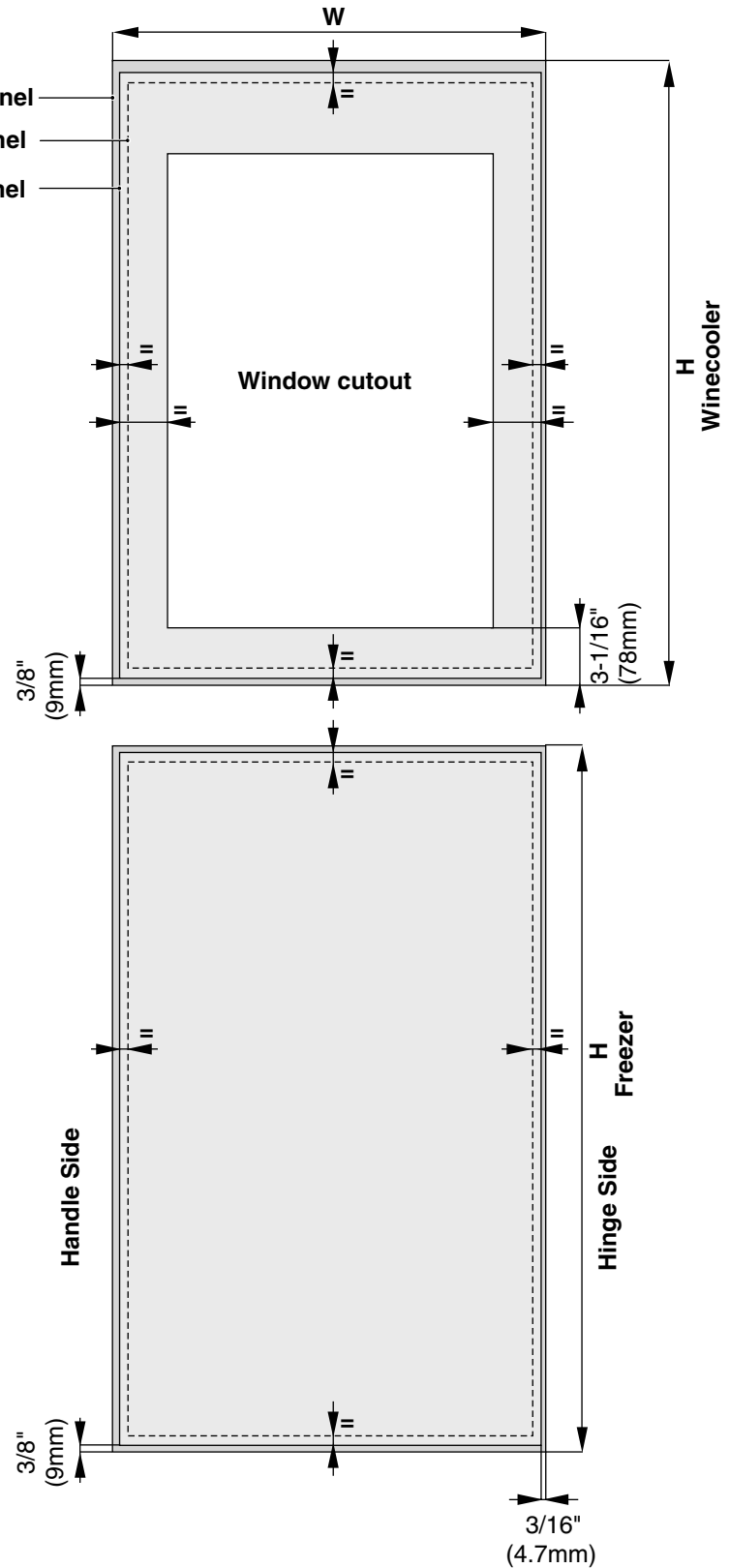
Overlay Panel Dimensions WF/WFI 1051





	W	H - Winecooler	H - Freezer
1 Overlay Panel	23-5/16" (592 mm)	33-5/8" (854 mm)	38" (965 mm)
2 Spacer Panel	21-3/4" (553 mm)	31-1/2" (800 mm)	36-1/4" (921 mm)
3 Backer Panel	22-3/4" (578 mm)	32-37/64" (828 mm)	37-9/32" (947 mm)
Window cutout	max 17-1/2" (445 mm)	max 25-1/2" (648 mm)	

48" Side-by-Side installation



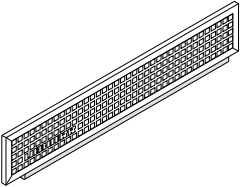
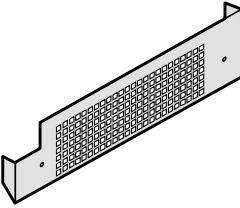
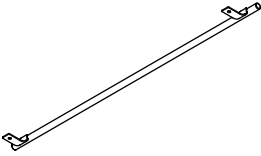
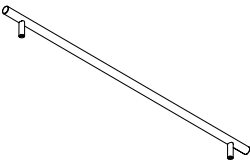
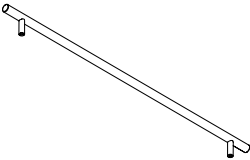
Accessories for Framed and Overlay Panels

Kits may be necessary to reverse the door and hinges, complete this unit's installation or to apply it in a different manner than its original intent. If a kit is necessary, contact your Liebherr retailer or distributor.

The following kits are available:

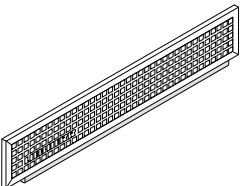
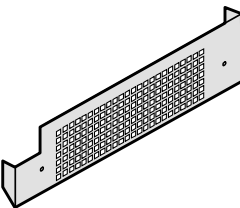
For Single 24" Unit Installation RI/RBI1400, WFI 1051

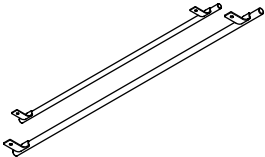
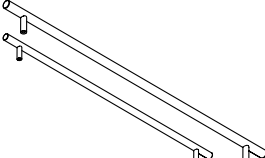
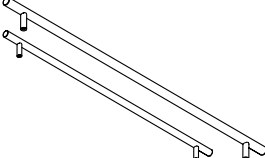
Optional installation accessory

	<p>9900734</p>	<p>Top Ventilation Grille RI/RBI/BFI/WFI</p>
	<p>9900716</p>	<p>Single Installation Set Bottom ventilation grille, Installation parts</p>
	<p>9900722</p>	<p>Handle Trim Kit for framed panels. Made of stainless steel Diameter: 3/4" (18 mm) Length: 71-1/8" (1806.5 mm)</p>
	<p>9900728</p>	<p>Handle for Overlay Panel Made of stainless steel Diameter: 3/4" (18 mm) Length: 28-1/2" (725 mm)</p>
	<p>9900732</p>	<p>Handle for Overlay Panel Made of stainless steel Diameter: 1" (25 mm) Length: 32-1/2" (825 mm)</p>

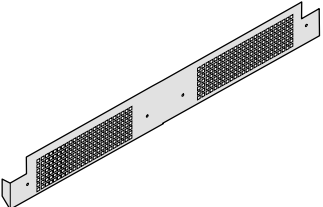
For Single 24" Unit Installation BFI/WFI 1051

Optional installation accessory

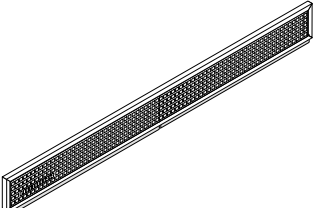
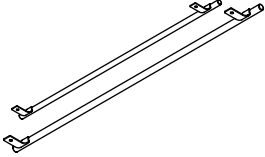
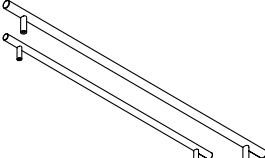
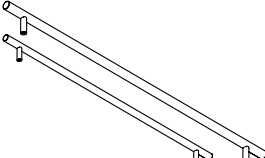
	<p>9900734</p>	<p>Top Ventilation Grille RI/RBI/BFI/WFI</p>
	<p>9900716</p>	<p>Single Installation Set Bottom ventilation grille, Installation parts</p>

	<p>9900724</p>	<p>Handles Trim Kit for framed panels.</p> <p>Made of stainless steel Diameter 3/4" (18 mm) Length: 37-1/2" (952.2 mm) 32-3/4" (832.5 mm)</p>
	<p>9900819</p>	<p>Handles for Overlay Panels</p> <p>Made of stainless steel Diameter: 3/4" (18 mm) Length: 13-3/4" (350 mm), both</p>
	<p>9900821</p>	<p>Handles for Overlay Panels,</p> <p>Made of stainless steel Diameter: 1" (25 mm) Length: 17-3/4" (450 mm) 13-3/4" (350 mm)</p>

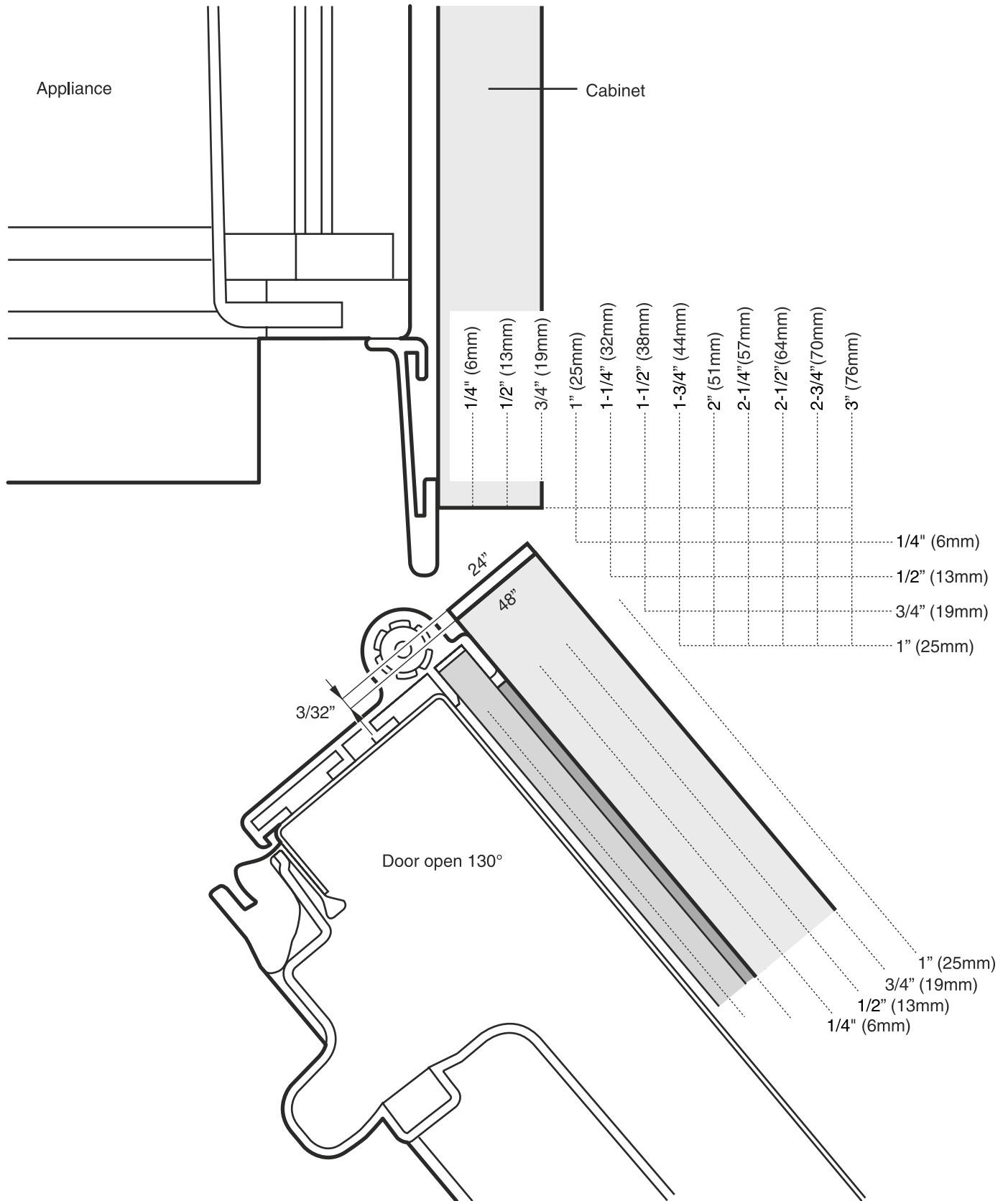
For Side-by-Side 48" Unit Installation SBS 2410, 2415
 Standard installation accessory

	<p>9900720</p>	<p>Side-by-Side Kit SBS 2410</p>
--	----------------	----------------------------------

Optional installation accessory

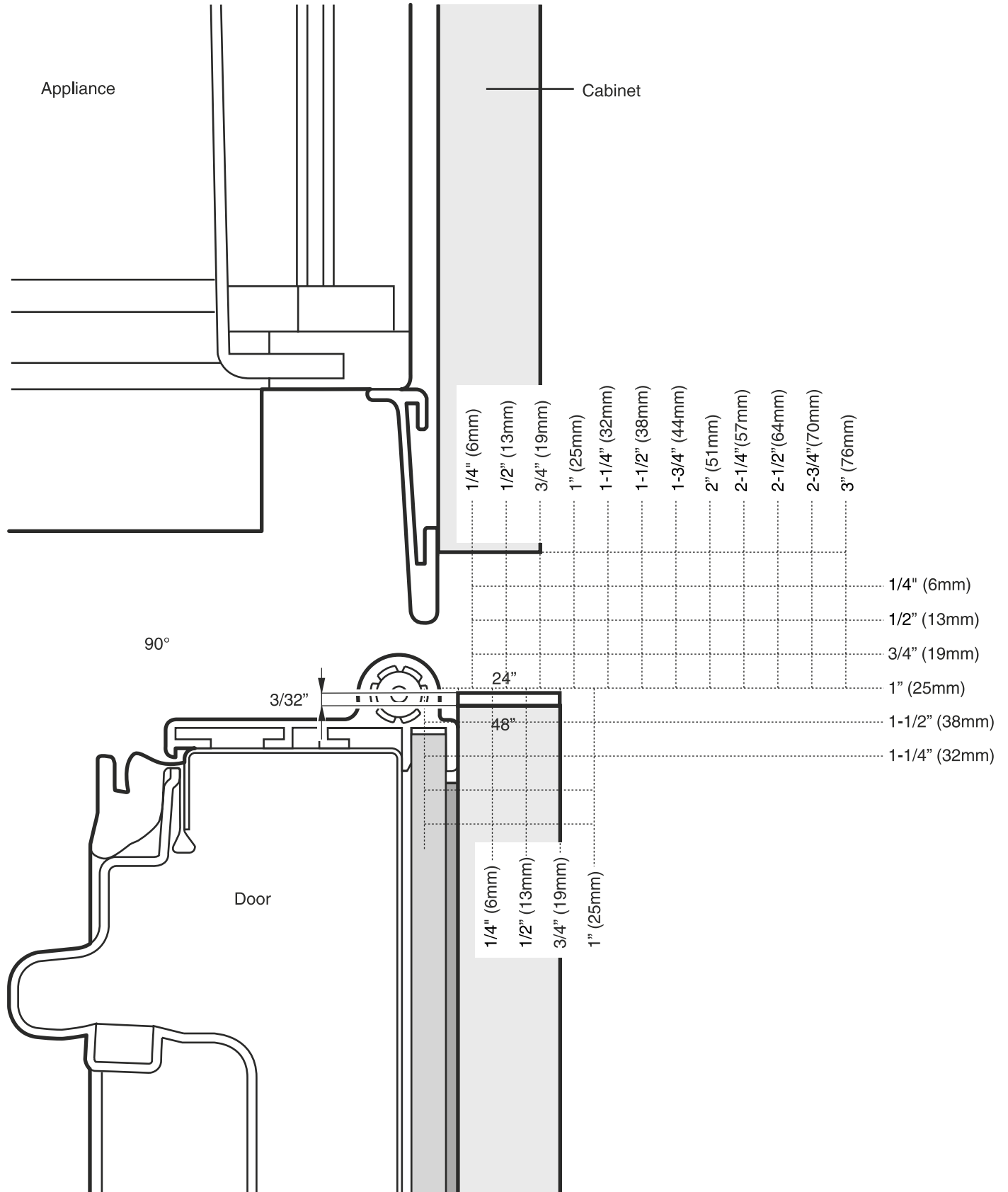
	<p>9900736</p>	<p>Top Ventilation Grille SBS 2410, 2415</p>
	<p>9900724 and 9900722</p>	<p>Handles Trim Kit for framed panels.</p> <p>Made of stainless steel Diameter: 3/4" (18mm) Length: 37-1/2" (952.2 mm) 32-3/4" (832.5 mm) 71-1/8" (1806.5 mm)</p>
	<p>9900819 and 9900728</p>	<p>Handles for Overlay Panels.</p> <p>Made of stainless steel. Diameter: 3/4" Length: 2 handles 13-3/4" (350 mm) 1 handle 28-1/2" (725 mm)</p>
	<p>9900821 and 9900732</p>	<p>Handles for Overlay Panels.</p> <p>Made of stainless steel Diameter: 1" Length: 17-3/4" (450 mm) 13-3/4" (350 mm) 32-1/2" (825 mm)</p>

Door Swing Clearance 130° RI/RBI 1400



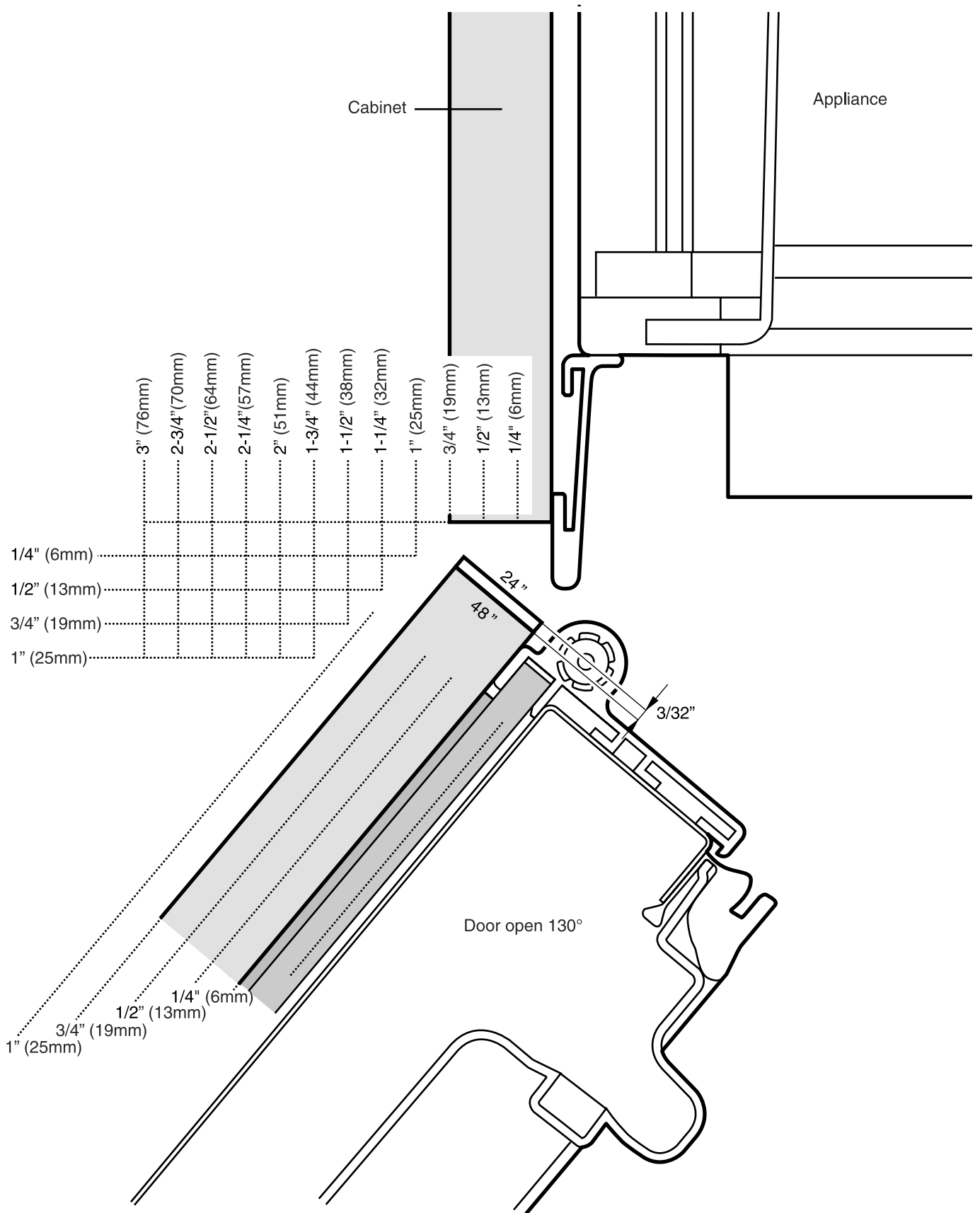
Scale 1:1

Door Swing Clearance 90° RI/RBI 1400



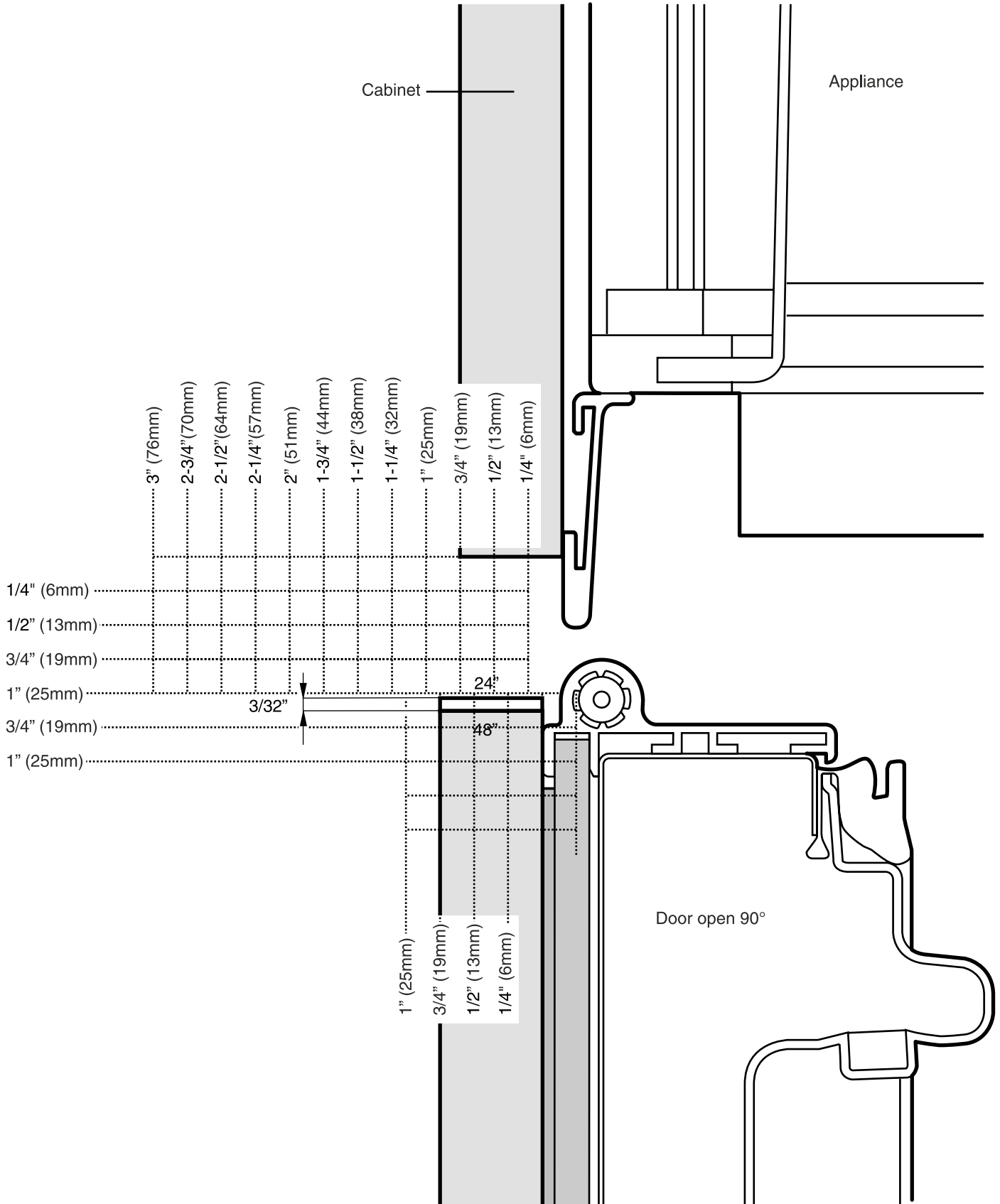
Scale 1:1

Door Swing Clearance 130° BFI/WFI 1051



Scale 1:1

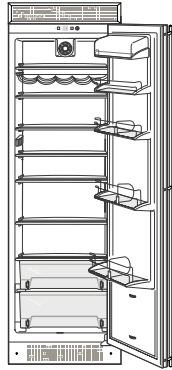
Door Swing Clearance 90° BFI/WFI 1051



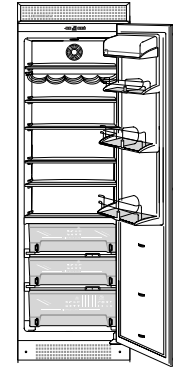
Scale 1:1

Built In Models 24" and 48"

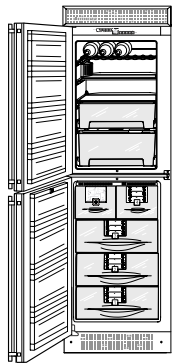
Stainless steel R/RB 1400, BF/WF 1051, SBS 240/245



R 1400

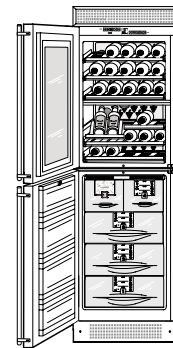


RB 1400

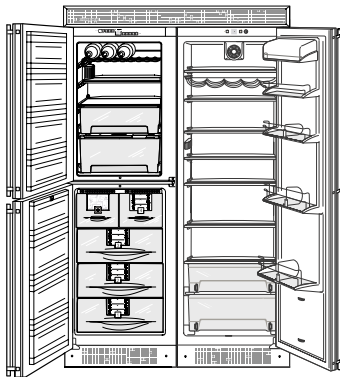


BF 1051

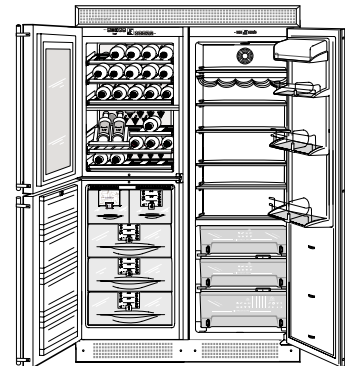
The Liebherr refrigerator-freezer with stainless steel doors can be easily integrated into any kitchen layout. The stainless steel gives a more professional style and it is easily cleaned. No panels are required.



WF 1051



SBS 240



SBS 245

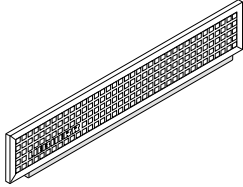
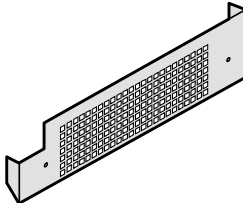
Accessories

Kits may be necessary to reverse the door and hinges, complete this unit's installation or to apply it in a different manner than its original intent. If a kit is necessary, contact your Liebherr retailer or distributor.

The following kits are available:

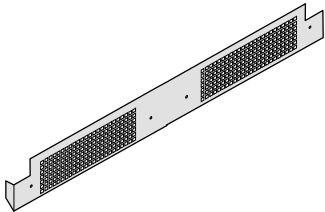
For Single 24" Installation R, RB 1400 and BF, WF 1051

Optional installation accessory

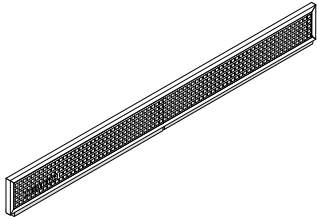
	9900734	Top Ventilation Grille RI/R/RBI/RB/BF/BFI/WF/WFI
	9900716	Single Installation Set

For Side-by-Side 48" Unit Installation SBS 240, 245

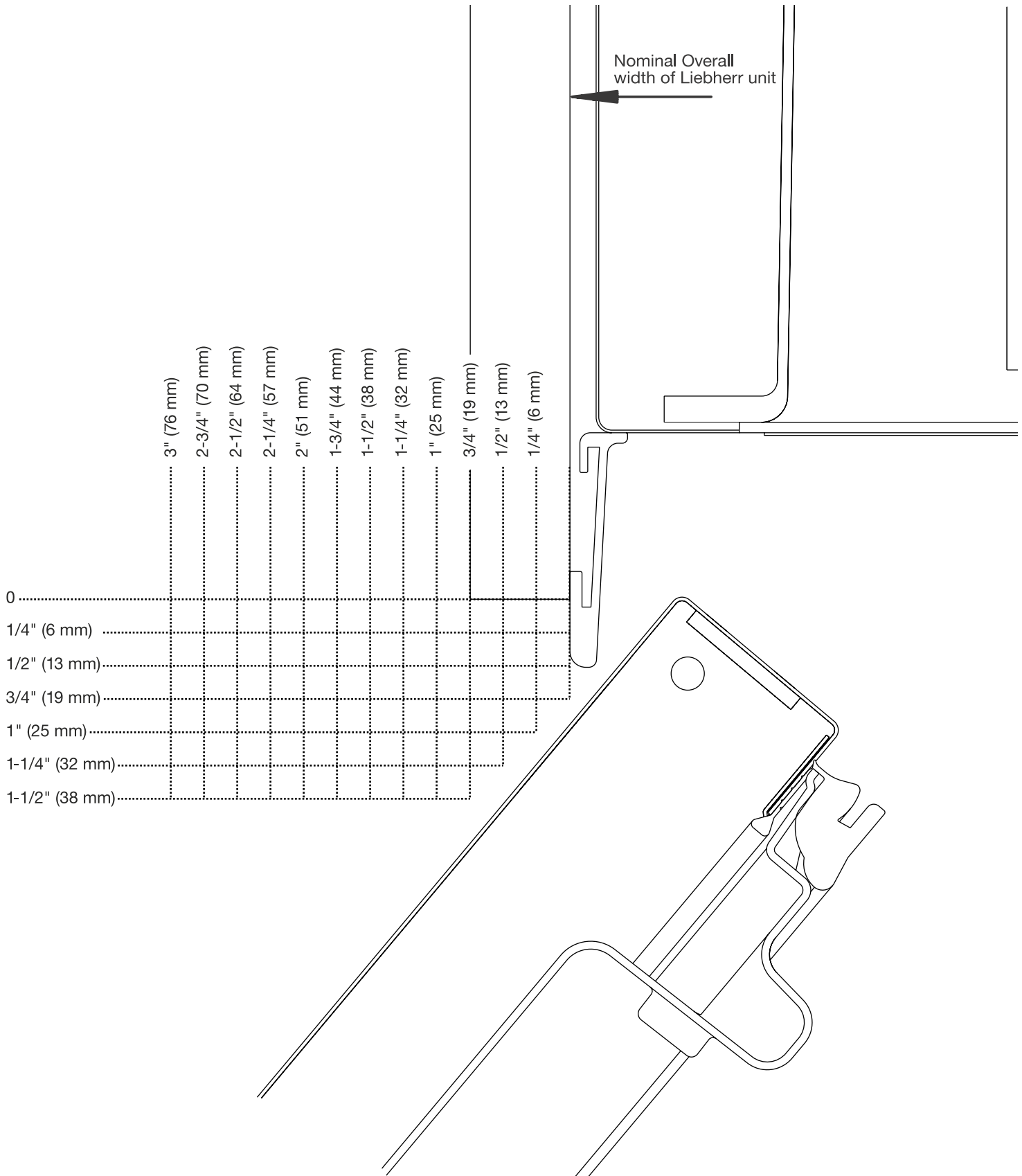
Standard installation accessory

	9900720	Side-by-Side Kit SBS 240
---	---------	--------------------------

Optional installation accessory

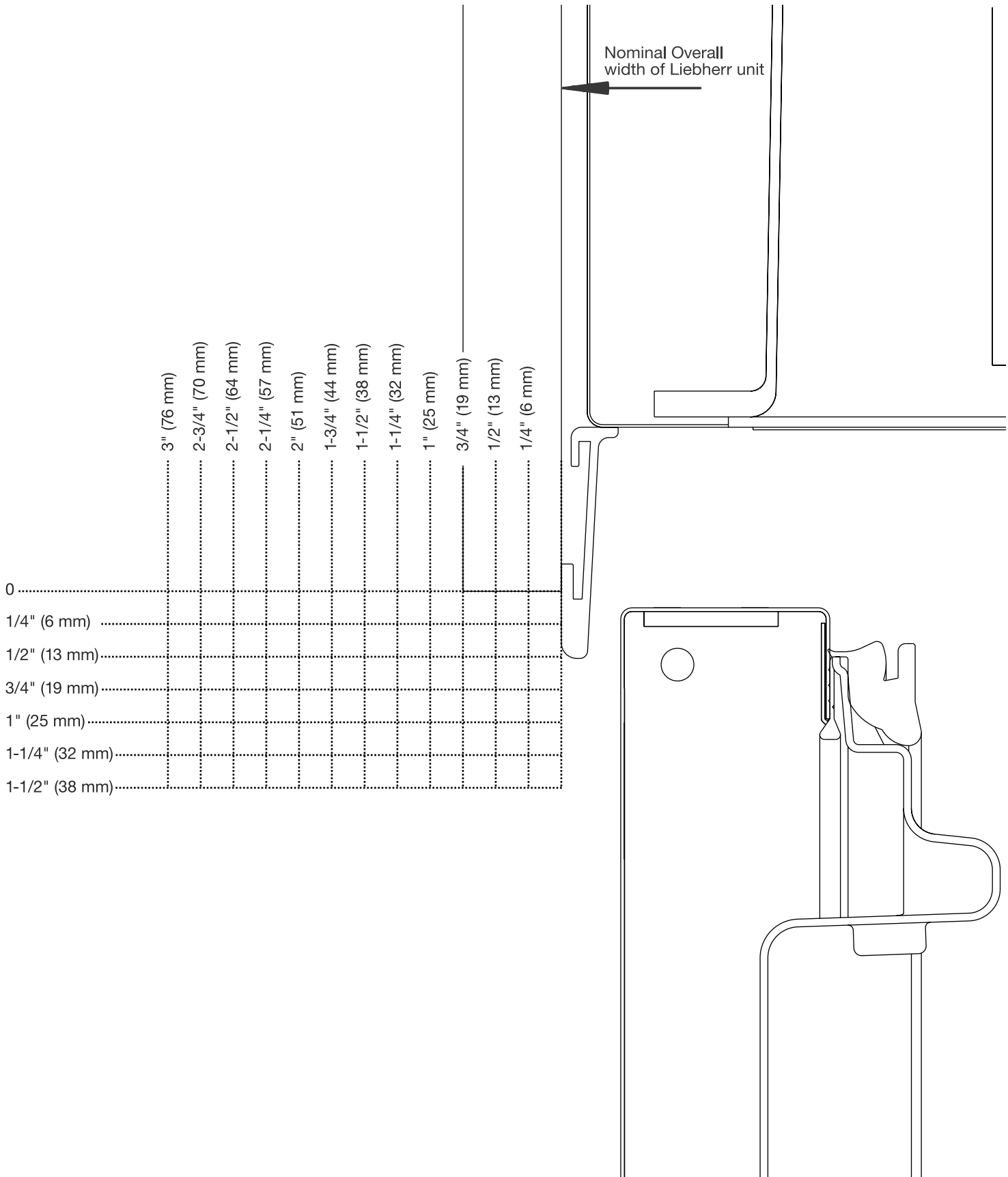
	9900736	Top Ventilation Grille SBS 240
---	---------	--------------------------------

Door Swing Clearance 130° BF/WF 1051



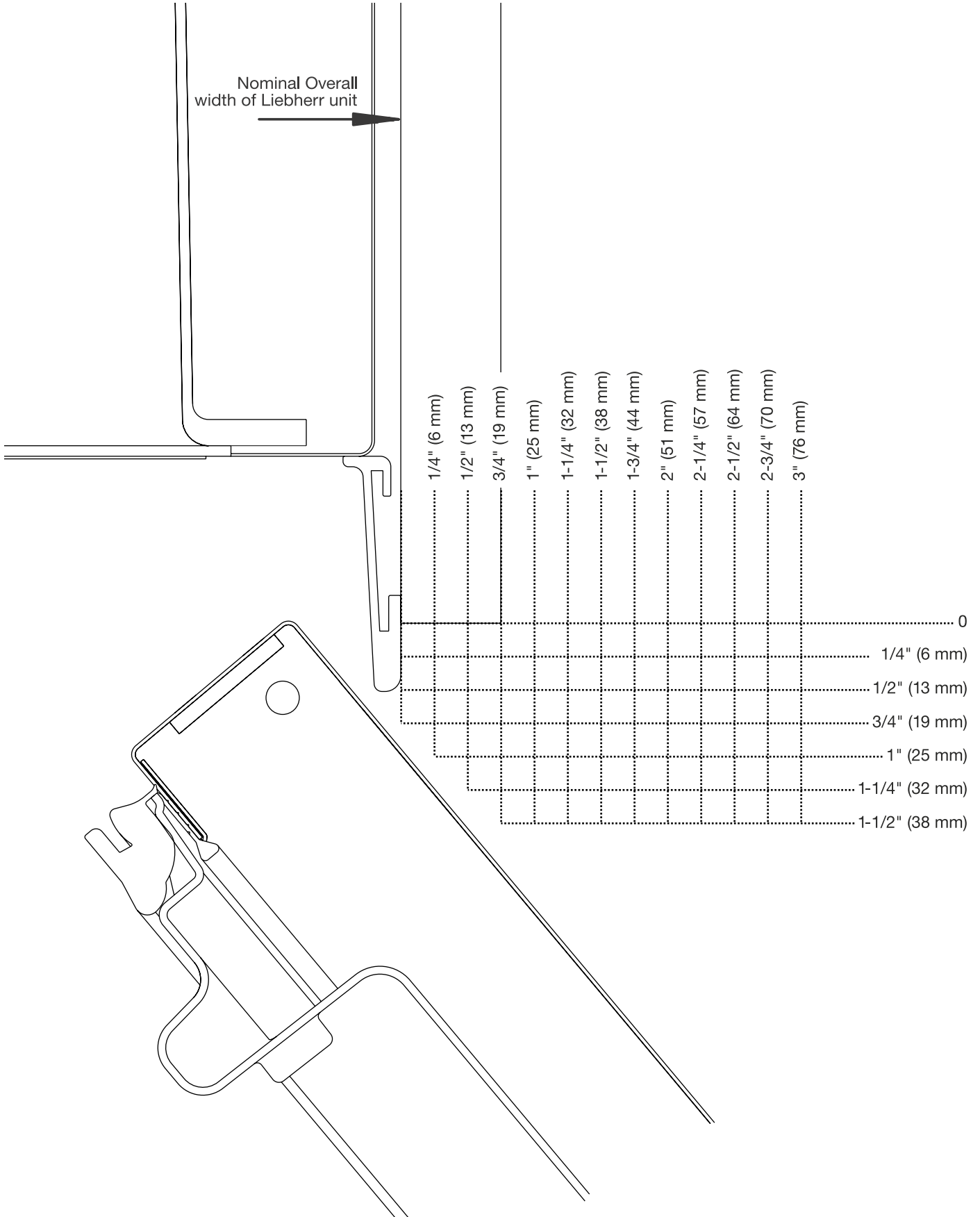
Scale 1:1

Door Swing Clearance 90° BF/WF 1051



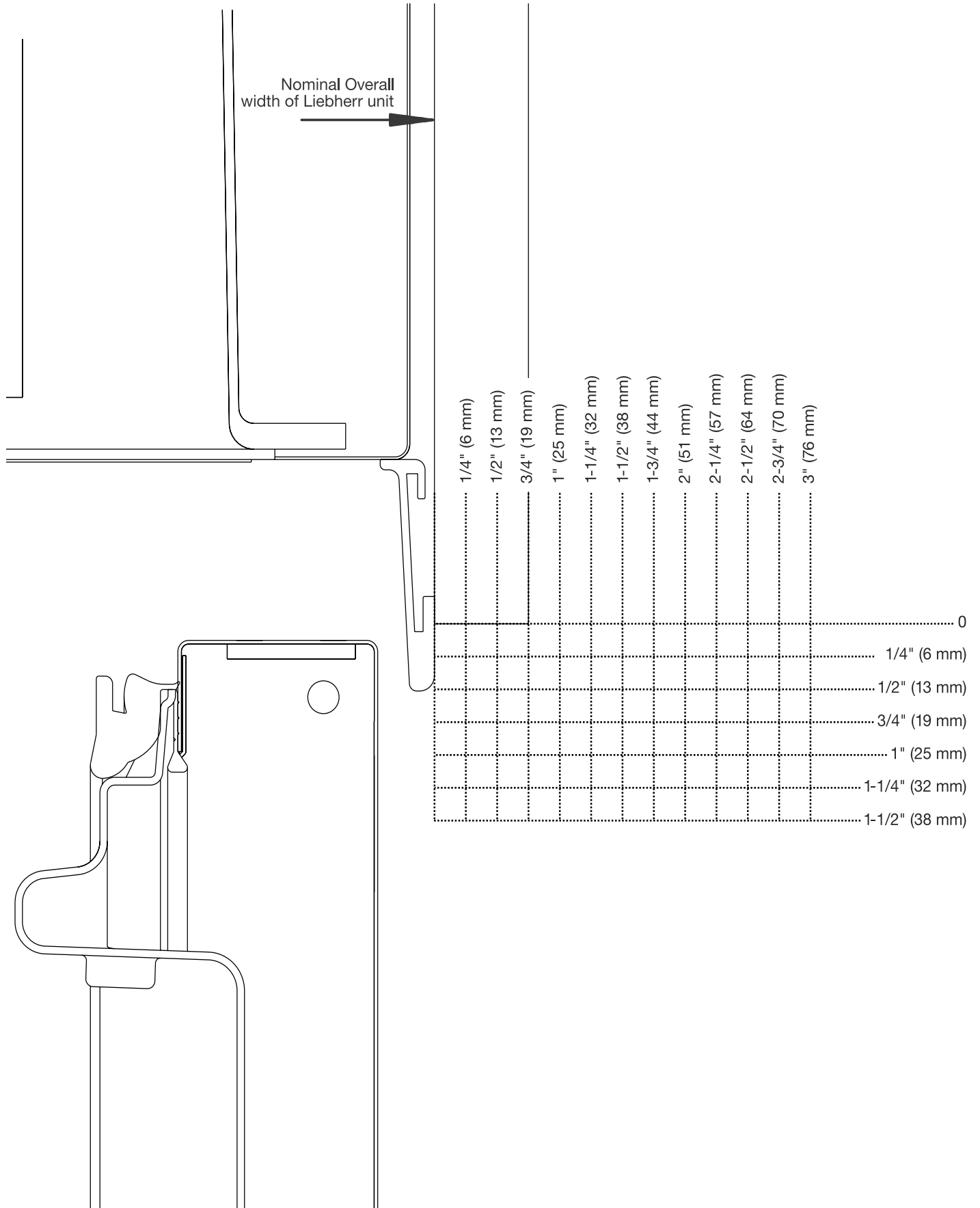
Scale 1:1

Door Swing Clearance 130° R, RB 1400



Scale 1:1

Door Swing Clearance 90° R, RB 1400



Scale 1:1

LIEBHERR

Design Guide 2008